

DATA SHEET

Termination



Part Number

5087.SMA.PSL.00.155

Description

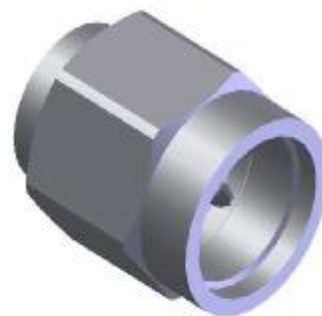
SMA, Plug, Straight, termination

Interface Standard

IEC 60169-15

Suitable Cable

N/A



Electrical Data

Impedance	50	Ω		
Max. operating frequency	6	GHz		
Frequency range	DC to 1GHz	1 to 2.2GHz	2.2 to 3GHz	3 to 6GHz
VSWR	≤ 1.05	≤ 1.12	≤ 1.15	≤ 1.18
Insertion loss	$0.03 \sqrt{f(\text{GHz})}$	dB		
Insulation resistance	≥ 5000	M Ω		
Average power rating	1	Watt	30°C ambient temperature	
Average power rating	0.5	Watt	120°C ambient temperature	

Mechanical Data

Mating cycles	≥ 500	
coupling recommended torque	$\geq 0.8\sim 1.1$	Nm
coupling proof torque	≥ 1.7	Nm
coupling nut tensile strength	≥ 270	N

Environmental Data

Operating temperature	-40~120°C	silicone rubber limited
2002/95/EC (ROHS)	compliant	
Sealing	N/A	
Thermal shock	MIL-STD-202 Method107, condition B	
Moisture resistance	MIL-STD-202 Method106	
Corrosion resistance	MIL-STD-202 Method101, condition B	

Material Data

Piece Parts	Material	Surface Plating
center contact	Beryllium copper	Au
body	Brass	Ni
insulator	PTFE	
nut	Brass	Ni
O-ring	silicone rubber	
spring ring	Stainless steel	
lid	Brass	Ni
resistance chip		

Zeeteq the technology connecting people

No. 51 Sci.-Tech Industry Park, Huoju Road, SND, Suzhou, China
Zip: 215009

Tel: +86 512 6807 8808
Fax: +86 512 6807 8818
www.zeeteq.com

Rev.: a
issued: 2008-5-20
page: 1 of 1