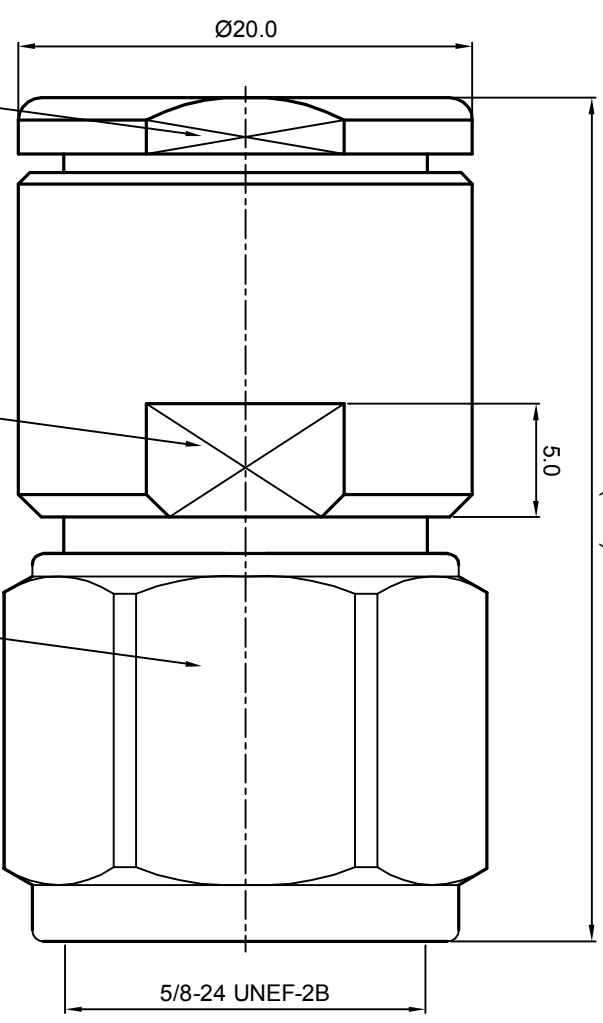


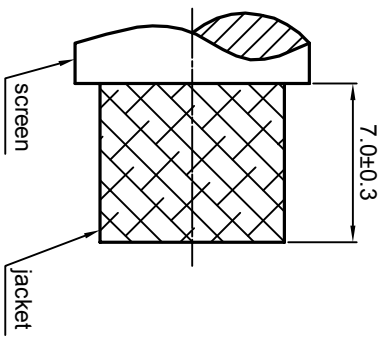
**NOTES: (UNLESS OTHERWISE SPECIFIED)**

- 1. The interface comply with IEC169-16
- 2. Part must be packaged to avoid any damaged during transportation

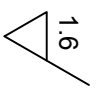
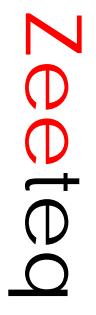
REV.	DESCRIPTION	APPROVED	DATE	EON



RECOMMENDED CABLE STRIPPING DIMENSIONS



<b>MATERIAL</b> SEE BOM FOR DETAILS		<b>TOLERANCES</b> 0place X ±1 1place X ±0.1 2place XX ±0.05 Angle ±5°		<b>THIRD ANGLE PROJECTION</b> 		<b>TITLE</b> N, PLUG, CABLE MOUNT	
<b>FINISH</b> SEE BOM FOR DETAILS		Remove burrs and sharp edges 		GENERAL ECCENTRICITY <input checked="" type="checkbox"/> 0.06		DWG. NO. 5187.N.PSC.12.133	
Plating part to be touched by gloves Dimension apply before plating XXX - measuring point for plating		NOTICE: Those drawings and specifications are the property of ZEETEQ CORPORATION and used only for the specify purpose authorised by ZEETEQ		DRAWN BY Danny.D		DATE 19Feb08	
<b>SURFACE</b>		<b>VOLUME</b>		CHECKED BY		APPROVED BY	
SEE BOM FOR DETAILS		SEE BOM FOR DETAILS		NAME		DATE	
SEE BOM FOR DETAILS		SEE BOM FOR DETAILS		DATE		REV.	
SEE BOM FOR DETAILS		SEE BOM FOR DETAILS		DATE		S1	



SCALE	DO NOT SCALE DRAWING	SIZE	SHEET
3:1		A4	1 of 1