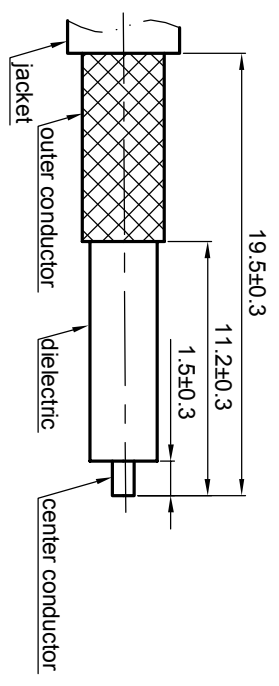
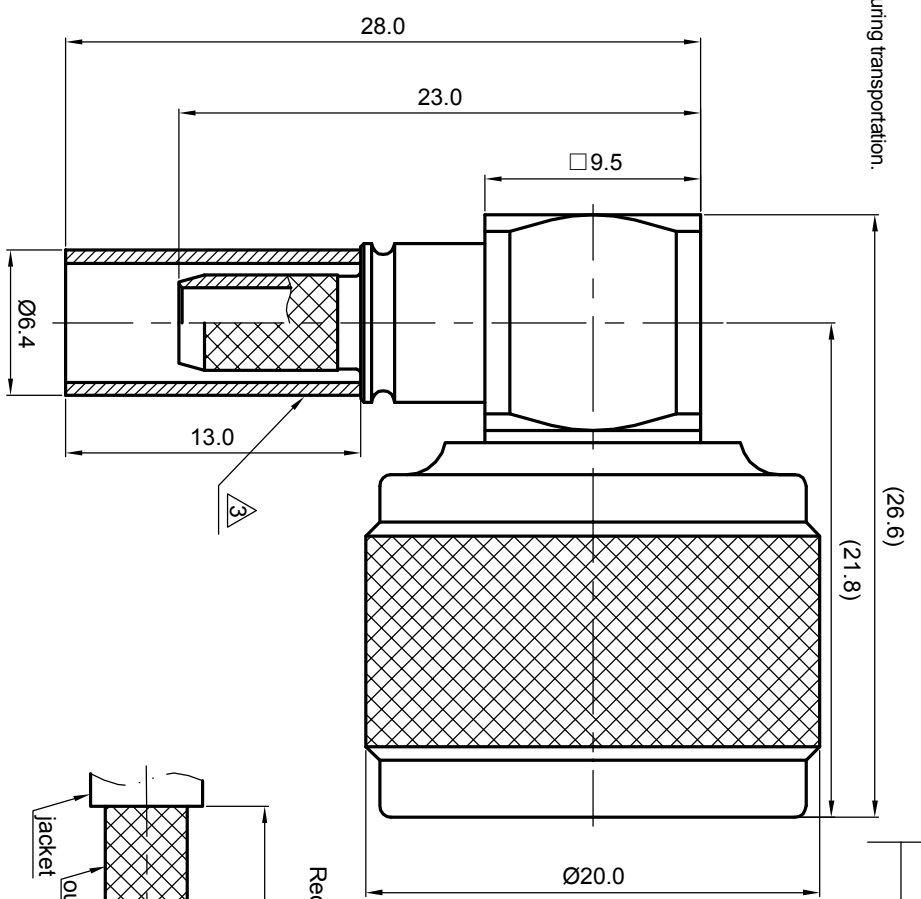


NOTES: (UNLESS OTHERWISE SPECIFIED)

1. Interface comply with IEC 169-16.
 2. Part must be packaged to avoid any damaged during transportation.
- A** After crimping dimension should be AF/SW 5.41.



REV.	DESCRIPTION	APPROVED	DATE	ECN
A	REL. TO PRODUCTION	Johnny	21 Nov 07	

MATERIAL	SEE BOM OF DETAILS
FINISH	SEE BOM OF DETAILS
Plating part to be touched by gloves	
Dimension apply before plating	
XXX - measuring point for plating	
SURFACE	VOLUME

TOLERANCES	<p>Opface X ±1 1place X ±0.1 2place XX ±0.05 Angle ±5°</p>
Remove burrs and sharp edges	

THIRD ANGLE PROJECTION	
GENERAL ECCENTRICITY	$\sqrt{0.06}$
DRAWN BY	Billy Lei 20 Nov 07
CHECKED BY	Joy 21 Nov 07
APPROVED BY	Johnny 21 Nov 07

TITLE	Zeeteq	
	N, plug, cable	
DWG NO.	5050.N.PRC.08.133	
SCALE	DO NOT SCALE DRAWING	SIZE A4
REV.	A	
SHEET	1 of 1	

1 2 3 4 5 6

A B C D