

1

2

3

4

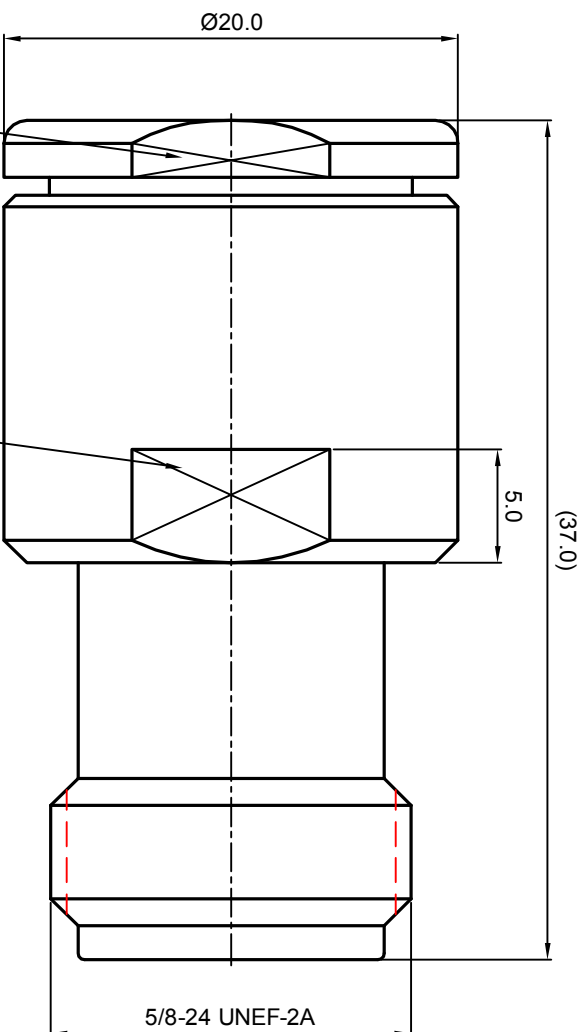
5

6

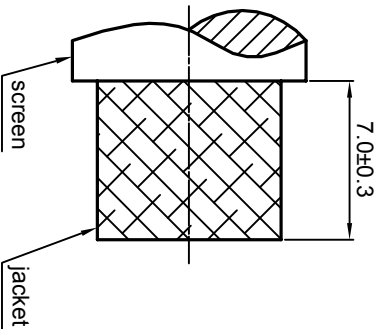
NOTES: (UNLESS OTHERWISE SPECIFIED)

1. The interface comply with IEC169-16
2. Part must be packaged to avoid any damaged during transportation

REV.	DESCRIPTION	APPROVED	DATE	EON



RECOMMENDED CABLE STRIPPING DIMENSIONS



MATERIAL		TOLERANCES		THIRD ANGLE PROJECTION		TITLE	
SEE BOM FOR DETAILS		1place	X ±1			Zee-teq	
SEE BOM FOR DETAILS		2place	X ±0.1	<input checked="" type="checkbox"/> 0.06		N, JACK, CABLE MOUNT	
FINISH		Angle	XX ±0.05	GENERAL ECCENTRICITY		DWG. NO.	
SEE BOM FOR DETAILS		Remove burrs and sharp edges	±5°			5194.N.JSC.11.133	
Plating part to be touched by gloves				DRAWN BY		NAME	
Dimension apply before plating		-0.2		Danny.D		DATE	
XXX - measuring point for plating		+0.2		CHECKED BY		APPROVED BY	
SURFACE		NOTICE: Those drawings and specifications are the property of ZEE-TEQ CORPORATION and used only for the specify purpose authorised by ZEE-TEQ		APPROVED BY		SCALE	
VOLUME		purpose authorised by ZEE-TEQ		APPROVED BY		3:1	
				APPROVED BY		DO NOT SCALE DRAWING	
				APPROVED BY		SIZE	
				APPROVED BY		A4	
				APPROVED BY		SHEET	
				APPROVED BY		1 of 1	
				APPROVED BY		REV.	
				APPROVED BY		S1	

A

B

C

D

A

B

C

D

1

2

3

4

5

6