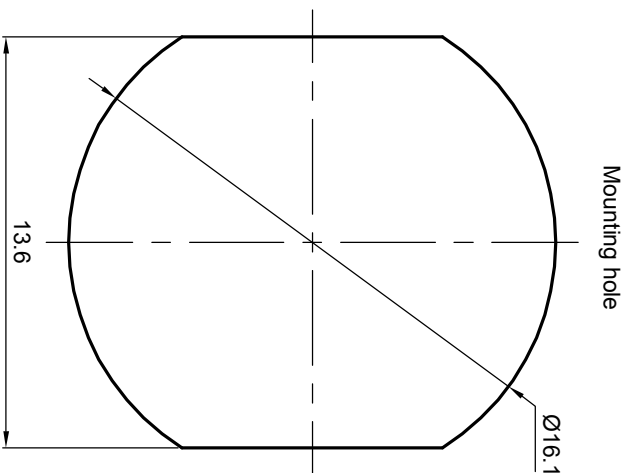


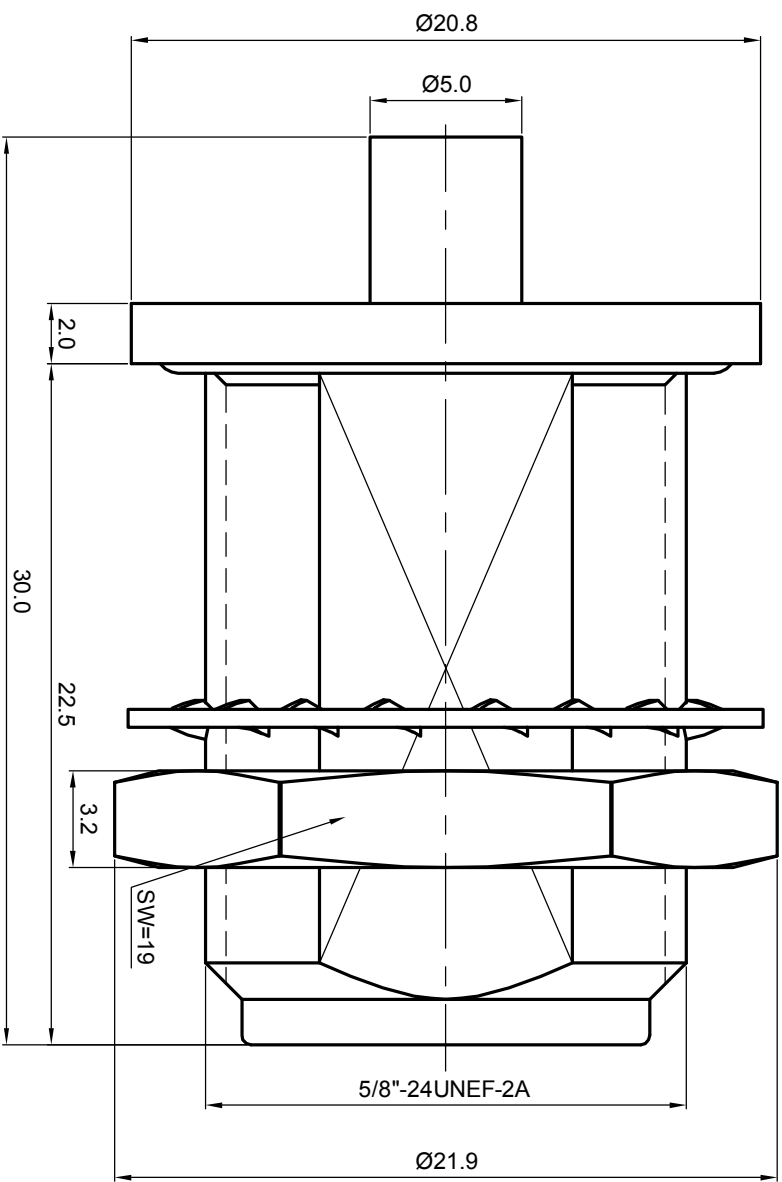
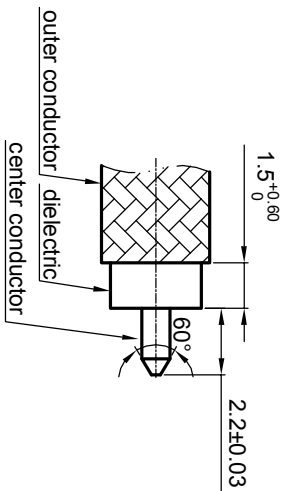
**NOTES: (UNLESS OTHERWISE SPECIFIED)**

1. Interface comply with IEC 169-16.
2. Part must be packaged to avoid any damaged during transportation.



Mounting hole

Recommended cable stripping dims



MATERIAL		SEE BOM OF DETAILS		TOLERANCES		THIRD ANGLE PROJECTION		TITLE	
SEE BOM OF DETAILS		SEE BOM OF DETAILS		Opface X ±1 1place X ±0.1 2place XX ±0.05 Angle ±5°				Zeeteq N,jack, cable	
FINISH		REMOVE BURRS AND SHARP EDGES		-0.2 +0.2		GENERAL ECCENTRICITY <input checked="" type="checkbox"/> 0.06		DWG NO. 5223.N.JSC.03.131	
SEE BOM OF DETAILS		Remove burrs and sharp edges		DRAWN BY Billy Lei 28 Feb 08 CHECKED BY APPROVED BY		NAME DATE		REV. S1	
Plating part to be touched by gloves		NOTICE: Those drawings and specifications are the property of ZEETEQ CORPORATION and used only for the specify purpose authorised by ZEETEQ		SCALE 4:1		DO NOT SCALE DRAWING		SIZE A4	
Dimension apply before plating				DWG NO. 5223.N.JSC.03.131				SHEET 1 of 1	
XXX - measuring point for plating									
SURFACE		VOLUME							

