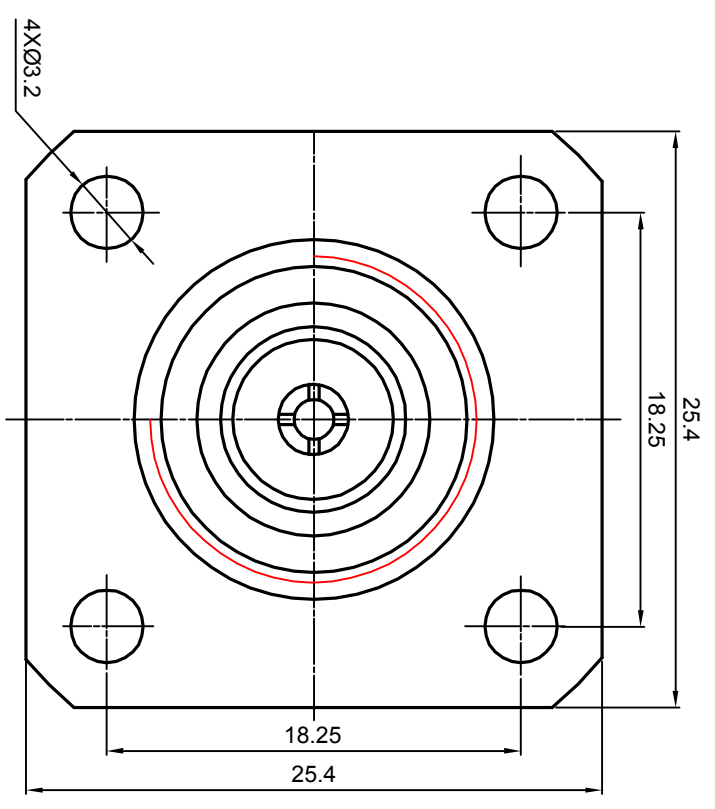
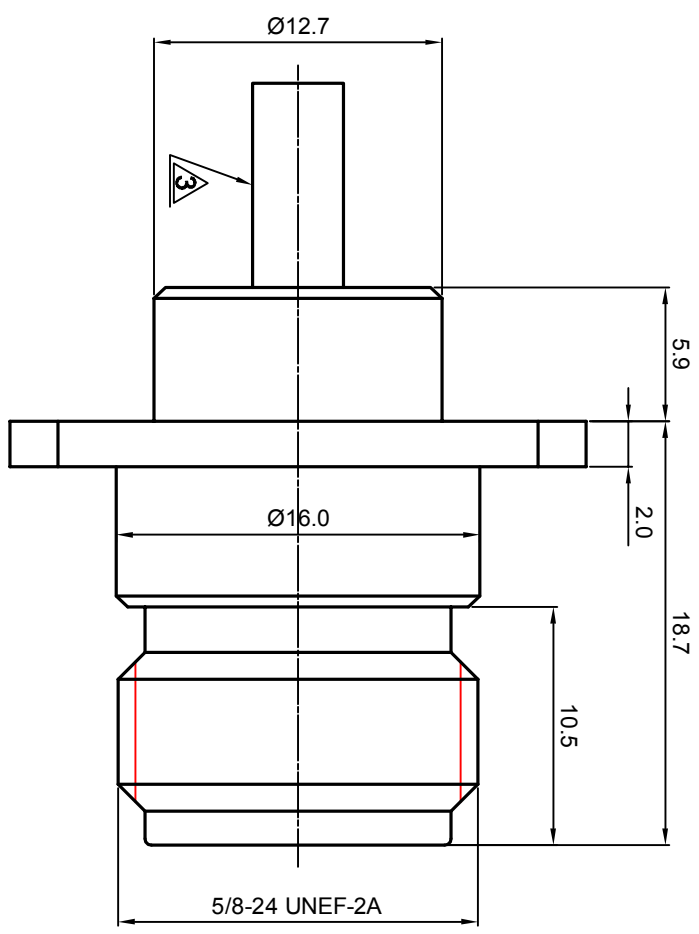
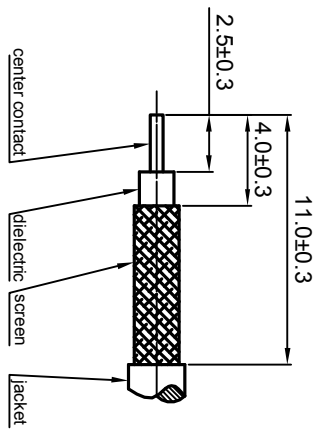


NOTES: (UNLESS OTHERWISE SPECIFIED)

- Interface comply with IEC 169-16.
 - Part must be packaged to avoid any damaged during transportation.
- After crimping dimension should be A/F/SW 3.25.



RECOMMENDED CABLE STRIPPING DIMENSIONS



1	2	3	4	5	6
---	---	---	---	---	---

REV.	DESCRIPTION	APPROVED	DATE	EON

MATERIAL		TOLERANCES		THIRD ANGLE PROJECTION		TITLE	
SEE BOM FOR DETAILS		Opface X ±1 1place X ±0.1 2place XX ±0.05 Angle ±5°				Zeeteq	
FINISH		Remove burrs and sharp edges		GENERAL ECCENTRICITY		N, JACK, CABLE MOUNT	
SEE BOM FOR DETAILS				<input checked="" type="checkbox"/> 0.06		DWG NO. 5217.N.JSC.06.133	
Plating part to be touched by gloves		DRAWN BY		NAME		SCALE	
Dimension apply before plating		Danny.D		17OCT07		4:1	
XXX - measuring point for plating		CHECKED BY		APPROVED BY		DO NOT SCALE DRAWING	
SURFACE		VOLUME		DATE		SIZE	
						A4	
						SHEET	
						1 of 1	

D	C	B	A
---	---	---	---

