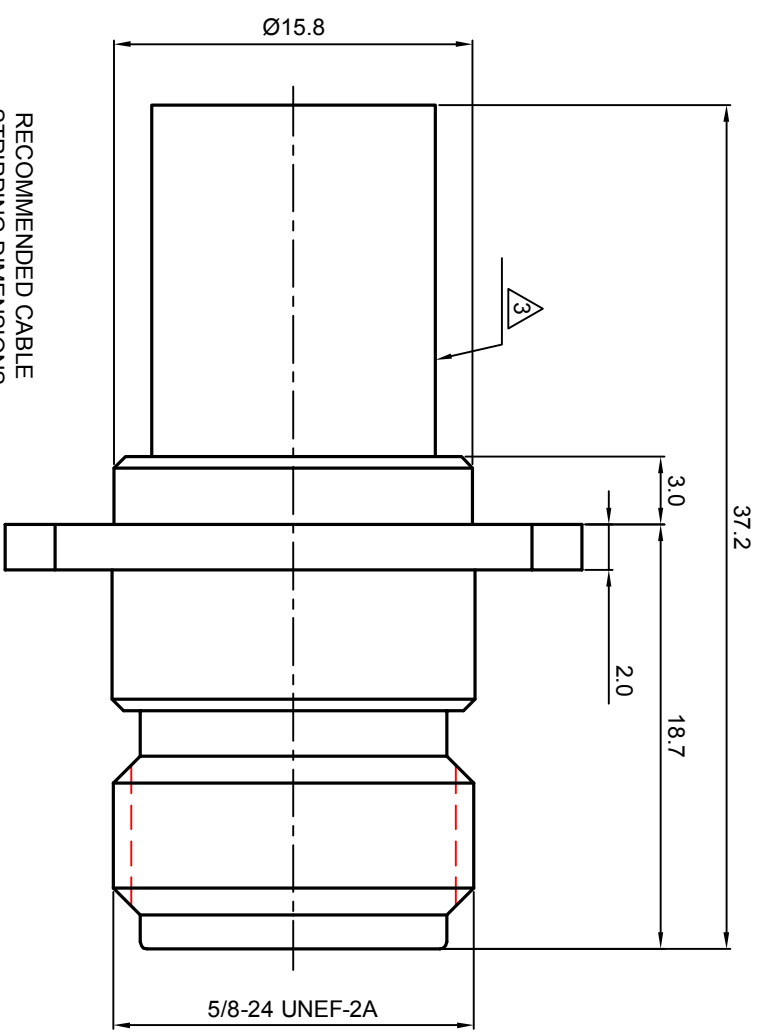
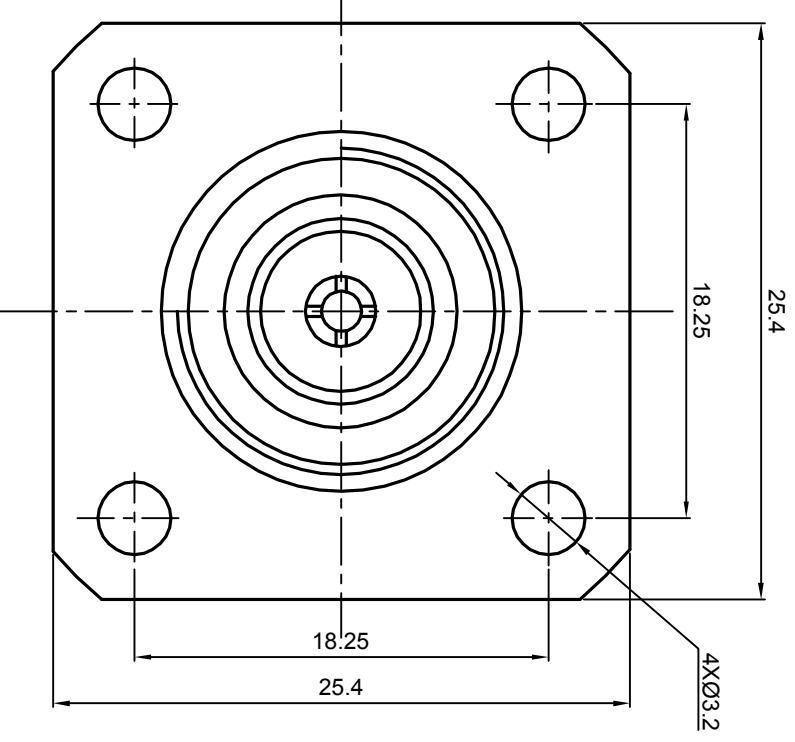
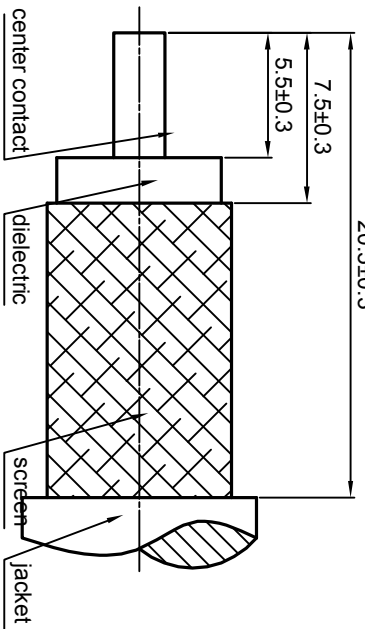


**NOTES: (UNLESS OTHERWISE SPECIFIED)**

- 1. The interface comply with IEC169-16
- 2. Part must be packaged to avoid any damaged during transportation
- 3. After crimping dimension should be AF/SW 10.9.



RECOMMENDED CABLE STRIPPING DIMENSIONS  
20.5±0.3



REV.	DESCRIPTION	APPROVED	DATE	EON

MATERIAL	
SEE BOM FOR DETAILS	
FINISH	
SEE BOM FOR DETAILS	
Plating part to be touched by gloves	
Dimension apply before plating	
XXX - measuring point for plating	
SURFACE	VOLUME

TOLERANCES	
0place	X ±1
1place	X ±0.1
2place	XX ±0.05
Angle	±5°
Remove burrs and sharp edges	
	-0.2
	+0.2

THIRD ANGLE PROJECTION	
GENERAL ECCENTRICITY	<input checked="" type="checkbox"/> 0.06
DRAWN BY	NAME DATE
Danny.D	22OCT07
CHECKED BY	
APPROVED BY	

TITLE	
N, JACK, CABLE MOUNT	
DWG. NO.	
5222.N.JSC.12.133	
SCALE	DO NOT SCALE DRAWING
3:1	
SIZE	SHEET
A4	1 of 1
REV.	
S1	