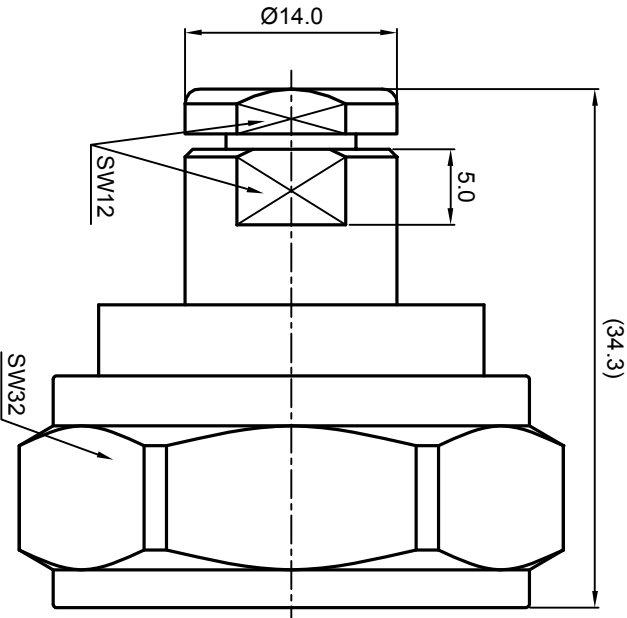
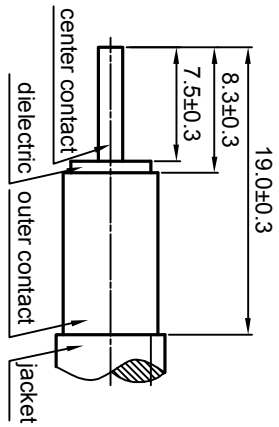


NOTES: (UNLESS OTHERWISE SPECIFIED)

- 1. The interface comply with IEC 169-4.
- 2. Part must be packaged to avoid any damaged during transportation.

REV.	DESCRIPTION	APPROVED	DATE	ECN

RECOMMENDED CABLE STRIPPING DIMENSIONS



1.6

MATERIAL SEE BOM FOR DETAILS		TOLERANCES 1place X ±1 2place .XX ±0.05 Angle ±5°		THIRD ANGLE PROJECTION 		TITLE 7/16, PLUG, CABLE MOUNT	
FINISH SEE BOM FOR DETAILS		Remove burrs and sharp edges 		GENERAL ECCENTRICITY 0.06		DWG NO. 5230.716.PSC.04.233	
Plating part to be touched by gloves		Plating part to be touched by gloves		DRAWN BY Danny.D 28Dec07		SCALE 2:1	
Dimension apply before plating		Dimension apply before plating		CHECKED BY		DO NOT SCALE DRAWING	
XXX - measuring point for plating		XXX - measuring point for plating		APPROVED BY		SIZE A4	
SURFACE		VOLUME		NOTICE: Those drawings and specifications are the property of ZEETEQ CORPORATION and used only for the specify purpose authorised by ZEETEQ		SHEET 1 of 1	



7/16, PLUG, CABLE MOUNT

5230.716.PSC.04.233

S1

SCALE 2:1 DO NOT SCALE DRAWING SIZE A4 SHEET 1 of 1