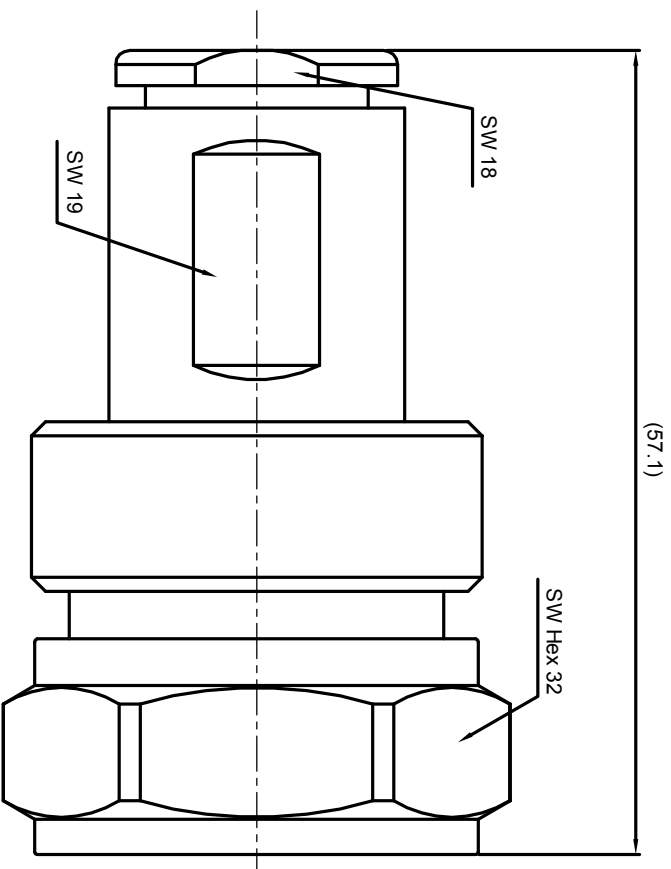


**NOTES: (UNLESS OTHERWISE SPECIFIED)**

1. Interface comply with IEC 169-4.
2. Part must be packaged to avoid any damaged during transportation.

REV.	DESCRIPTION	APPROVED	DATE	ECN



<b>MATERIAL</b> See bom		<b>TOLERANCES</b> 1place X ±1 2place .XX ±0.1 Angle ±5°		<b>THIRD ANGLE PROJECTION</b> GENERAL ECCENTRICITY $\sqrt[2]{1000}$		<b>TITLE</b> Zeeteq	
<b>FINISH</b> See bom		Remove burrs and sharp edges 		DRAWN BY Joy Zhou 01/10/07		<b>DWG NO.</b> 5197.716.PSC.12.233	
Plating part to be touched by gloves Dimension apply before plating XXX - measuring point for plating		APPROVED BY		NAME Joy Zhou		<b>SCALE</b> 2:1	
<b>SURFACE</b>		<b>VOLUME</b>		DO NOT SCALE DRAWING		<b>SIZE</b> A4	
<b>NOTICE:</b> Those drawings and specifications are the property of ZEETEQ CORPORATION and used only for the specify purpose authorised by ZEETEQ				<b>REV.</b> S1		<b>SHEET</b> 1 of 1	

1 2 3 4 5 6