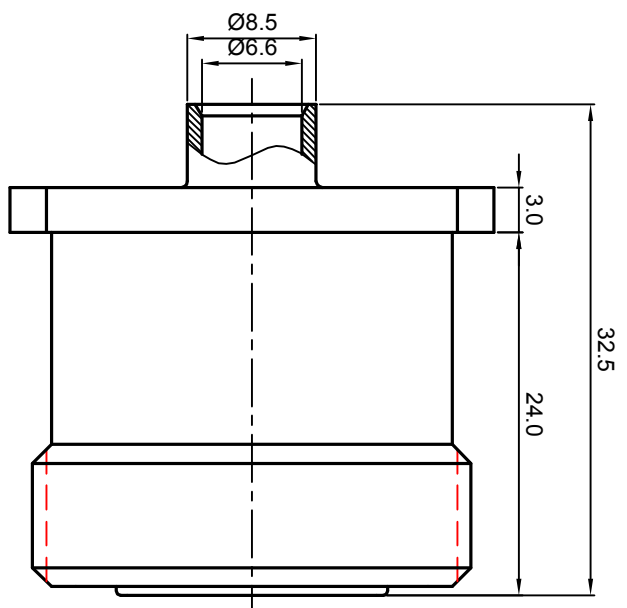
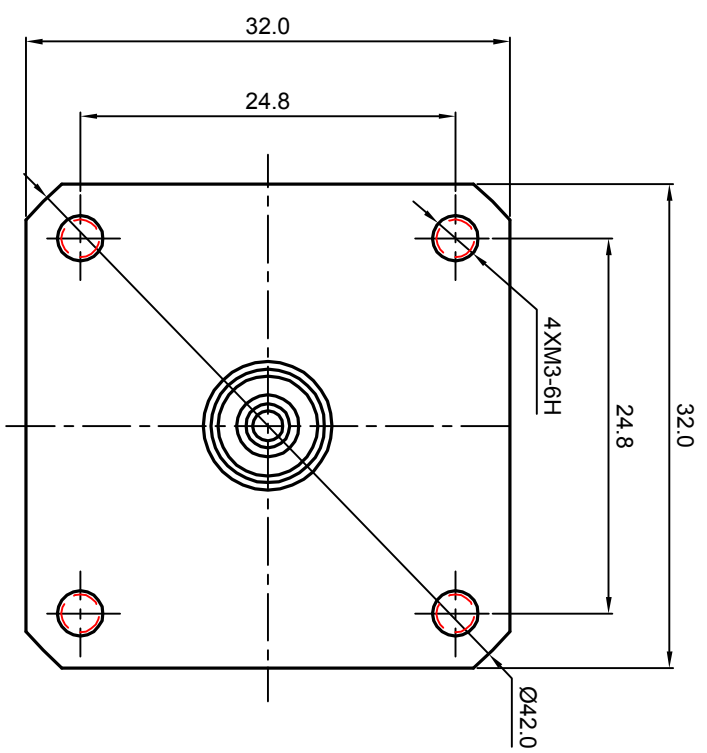
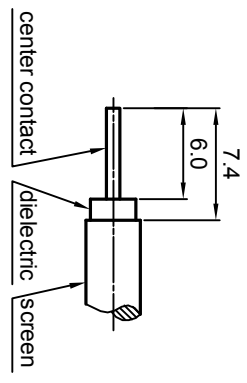


**NOTES: (UNLESS OTHERWISE SPECIFIED)**

1. The interface comply with IEC169-4



RECOMMENDED CABLE STRIPPING DIMENSIONS



REV.	DESCRIPTION	APPROVED	DATE	EON
A	REL TO PRODUCTION	Johnny	25Dec07	

MATERIAL		SEE BOM FOR DETAILS		TOLERANCES		THIRD ANGLE PROJECTION		TITLE	
FINISH		SEE BOM FOR DETAILS		Opface X ±1 1place X ±0.1 2place XX ±0.05 Angle ±5°				Zee-teq 7/16, JACK, CABLE MOUNT	
SEE BOM FOR DETAILS		Remove burrs and sharp edges		Remove burrs and sharp edges -0.2 +0.2		GENERAL ECCENTRICITY $\sqrt{0.06}$		DWG NO. 5083.716.JSC.04.220	
Plating part to be touched by gloves		DRAWN BY Danny		NAME DATE		CHECKED BY Colin		REV. A	
Dimension apply before plating		APPROVED BY Johnny		DATE 25Dec07		DATE 25Dec07		SCALE 2:1	
XXX - measuring point for plating		SURFACE		VOLUME		NOTICE: Those drawings and specifications are the property of ZEETEQ CORPORATION and used only for the specify purpose authorised by ZEETEQ		DO NOT SCALE DRAWING	
								SIZE A4	
								SHEET 1 of 1	

