

DATA SHEET

Cable connector



Part Number

5084.716.JSC.11.233

Description

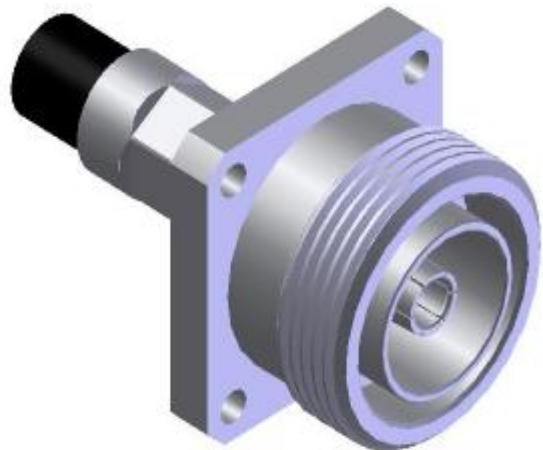
7/16, Jack, Straight, Flange Mount

Interface Standard

IEC 169-4

Suitable Cable

RG213/U RG8A/U RG165/U



Electrical Data

Impedance	50	Ω	
Max. operating frequency	3	GHz	cable limited
Frequency range	DC to 1GHz	1 to 2.2GHz	2.2 to 3GHz
VSWR	≤ 1.04	≤ 1.05	≤ 1.07
Insertion loss	$0.03\sqrt{f(\text{GHz})}$	dB	
Insulation resistance	≥ 10000	M Ω	
Center contact resistance	≤ 0.4	m Ω	
Outer contact resistance	≤ 1.5	m Ω	
Dielectric withstanding voltage	≥ 4000	Vrms @ 50Hz	connector limited
Working voltage	≤ 3000	Vrms @ 50Hz	connector limited

Mechanical Data

Mating cycles	≥ 500	
Center contact axial force	≥ 200	N
Center contact axial torque	≥ 0.45	Nm
contact gauge ret. Force	$\geq 6\sim 18$	N
Center contact	solder	
Outer contact	crimp	
Cable retention force		
-RG213/U RG8A/U	≥ 423	N
-RG165/U	≥ 250	N

Environmental Data

Operating temperature	restricted by cable and/or silicone used
2002/95/EC (ROHS)	compliant
Sealing	N/A
Thermal shock	MIL-STD-202 Method107, condition B
Moisture resistance	MIL-STD-202 Method106
Corrosion resistance	MIL-STD-202 Method101, condition B
Vibration	MIL-STD-202 Method204, condition D
Shock	MIL-STD-202 Method213, condition I

Material Data

Piece Parts	Material	Surface Plating
center contact	Phosphor bronze	Ag
outer contact	Brass	CuSnZn
insulator	PTFE	
ferrule	Brass	CuSnZn