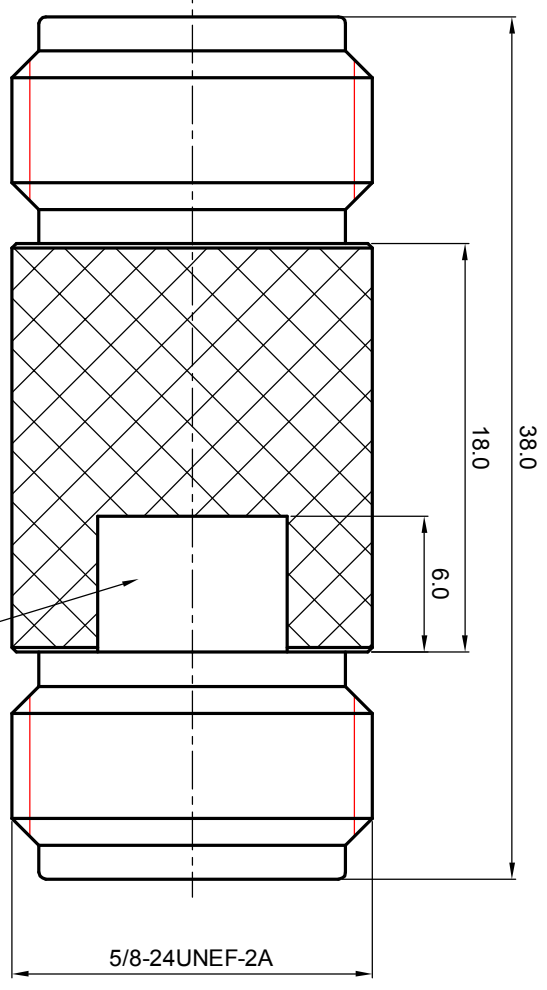
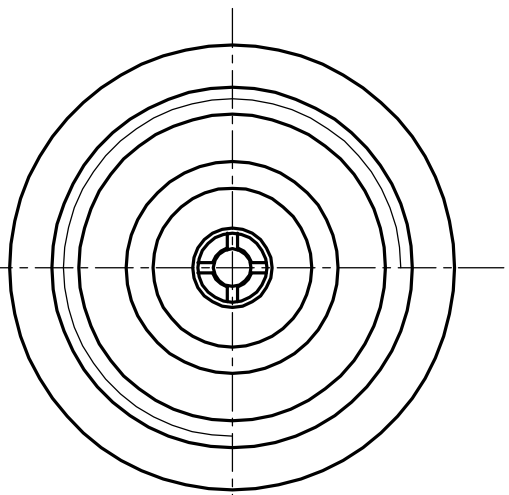


NOTES: (UNLESS OTHERWISE SPECIFIED)

REV.	DESCRIPTION	APPROVED	DATE	ECN



MATERIAL SEE BOM		TOLERANCES Oplace X ±1 1place .X ±0.1 2place .XX ±0.05 Angle ±5°		THIRD ANGLE PROJECTION 		TITLE N JACK - N JACK ADAPTOR	
FINISH SEE BOM		Remove burrs and sharp edges 		GENERAL ECCENTRICITY <input checked="" type="checkbox"/> 0.06		DWG NO. A5001.NJNJ	
Plating part to be touched by gloves		DRAWN BY Colin		NAME Colin		REV. S1	
Dimension apply before plating		CHECKED BY		DATE 19Dec07		SCALE 3:1	
XXX - measuring point for plating		APPROVED BY				DO NOT SCALE DRAWING	
SURFACE		VOLUME		NOTICE: Those drawings and specifications are the property of ZEETEQ CORPORATION and used only for the specify purpose authorised by ZEETEQ		SIZE A4	
						SHEET 1 of 1	

