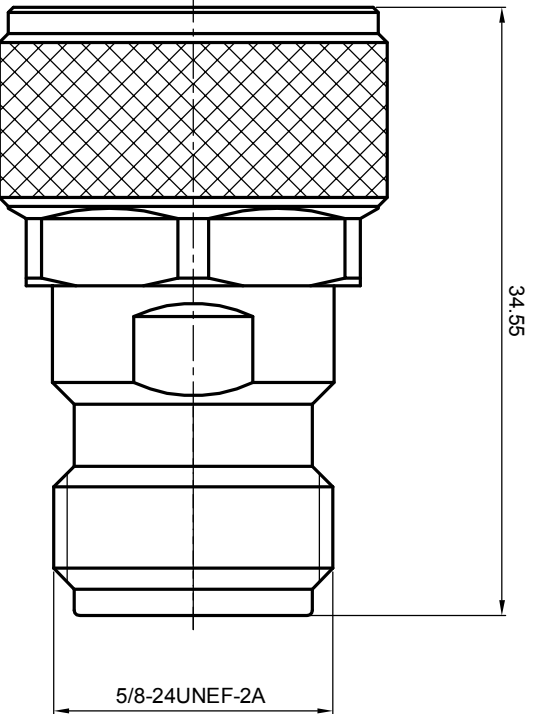


NOTES: (UNLESS OTHERWISE SPECIFIED)

REV.	DESCRIPTION	APPROVED	DATE	ECN



1.6

MATERIAL		SEE BOM OF DETAILS		TOLERANCES		THIRD ANGLE PROJECTION		TITLE	
SEE BOM OF DETAILS		SEE BOM OF DETAILS		Optance X ±1 1place X ±0.1 2place .XX ±0.05 Angle ±5°				<b>Zeeteq</b> Adaptor, N Plug-N jack	
FINISH		SEE BOM OF DETAILS		Remove burrs and sharp edges 		GENERAL ECCENTRICITY <input checked="" type="checkbox"/> 0.06		DWG NO. A5003.NPNJ	
Plating part to be touched by gloves		SEE BOM OF DETAILS		-0.2 +0.2		DRAWN BY Joy zhou DATE 11Jan08		SCALE 2:1	
Dimension apply before plating		SEE BOM OF DETAILS		NOTICE: Those drawings and specifications are the property of ZEETEQ CORPORATION and used only for the specify purpose authorised by ZEETEQ		CHECKED BY APPROVED BY		DO NOT SCALE DRAWING	
XXX - measuring point for plating		SEE BOM OF DETAILS						SIZE A4	
SURFACE		VOLUME						SHEET 1 of 1	
								REV. S1	

