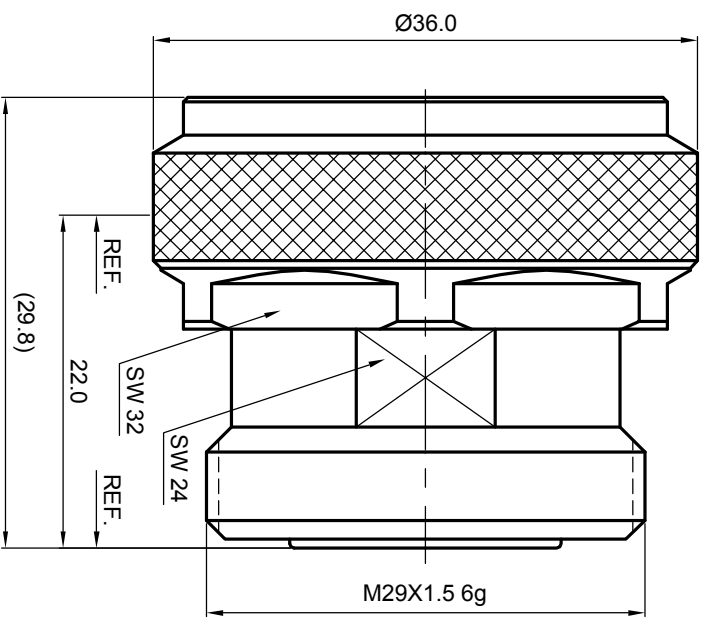


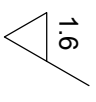
NOTES: (UNLESS OTHERWISE SPECIFIED)

1. Part must be packaged to avoid any damaged during transportation.



| REV. | DESCRIPTION | APPROVED | DATE | ECN |
|------|-------------|----------|------|-----|
| | | | | |
| | | | | |
| | | | | |

| | | | | | | | |
|---|--|---|--|-----------------------------|--|--|--|
| MATERIAL | | SEE BOM OF DETAILS | | THIRD ANGLE PROJECTION | | TITLE | |
| SEE BOM OF DETAILS | | TOLERANCES | | | | | |
| FINISH | | 0place X ± 1 1place X ± 0.1 2place XX ± 0.05 Angle $\pm 5^\circ$ | | GENERAL ECCENTRICITY | | <input checked="" type="checkbox"/> 0.06 | |
| SEE BOM OF DETAILS | | Remove burrs and sharp edges | | NAME | | DATE | |
| Plating part to be touched by gloves Dimension apply before plating XXX - measuring point for plating | | -0.2 +0.2 | | DRAWN BY | | 5 Dec 07 | |
| SURFACE | | VOLUME | | CHECKED BY | | APPROVED BY | |
| NOTICE: Those drawings and specifications are the property of ZEETEQ CORPORATION and used only for the specify purpose authorised by ZEETEQ | | NOTICE: Those drawings and specifications are the property of ZEETEQ CORPORATION and used only for the specify purpose authorised by ZEETEQ | | DWG NO. | | REV. | |
| SCALE | | DO NOT SCALE DRAWING | | SIZE | | SHEET | |
| 2:1 | | | | A4 | | 1 of 1 | |
| A5006.716P716J | | S1 | | 716 PLUG - 716 JACK ADAPTOR | | | |



1 2 3 4 5 6

A B C D