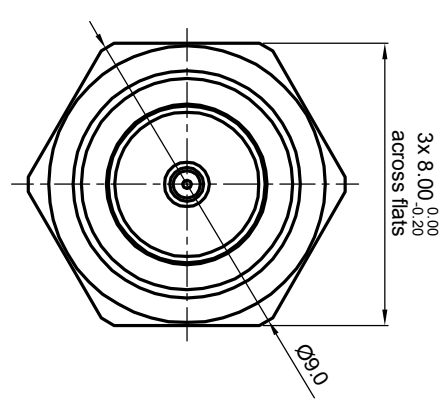
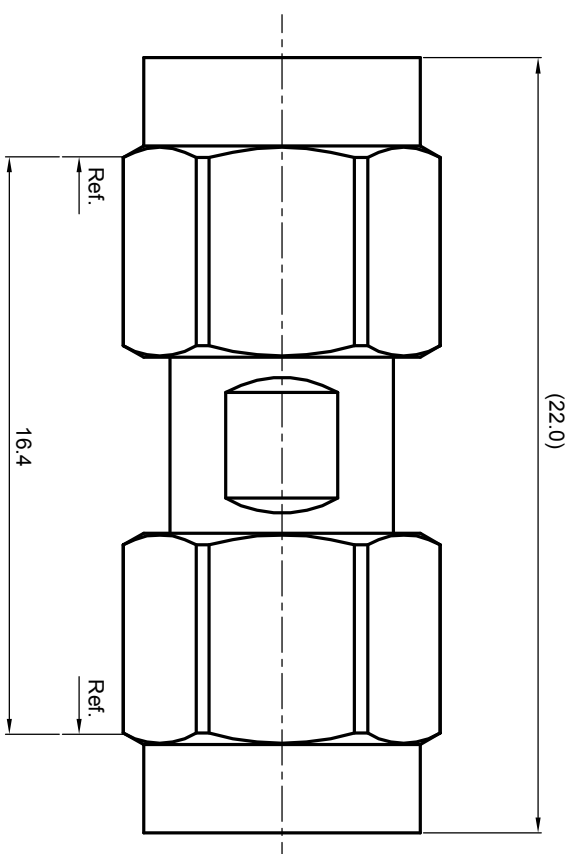

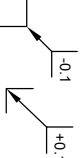


- NOTES: (UNLESS OTHERWISE SPECIFIED)**
- Interface comply with IEC169-15.
 - Part must be packaged to avoid any damages during transportation.



REV.	DESCRIPTION	APPROVED	DATE	ECN

MATERIAL see bom		TOLERANCES 0place X ±1 1place X ±0.1 2place .XX ±0.05 Angle ±5°		THIRD ANGLE PROJECTION  GENERAL ECCENTRICITY <input checked="" type="checkbox"/> 0.06		TITLE Zeeteq Adaptor: SMA Plug-SMA Plug	
FINISH see bom		Remove burrs and sharp edges 		DRAWN BY Joy Zhou DATE 24Dec07		DWG NO. A5024.SMAPPSPMAP	
Plating part to be touched by gloves Dimension apply before plating XXX - measuring point for plating		NOTICE: Those drawings and specifications are the property of ZEETEQ CORPORATION and used only for the specify purpose authorised by ZEETEQ		CHECKED BY APPROVED BY		SCALE 8:1 DO NOT SCALE DRAWING	
SURFACE		VOLUME		NAME DATE		SIZE A4 SHEET 1 of 1	

