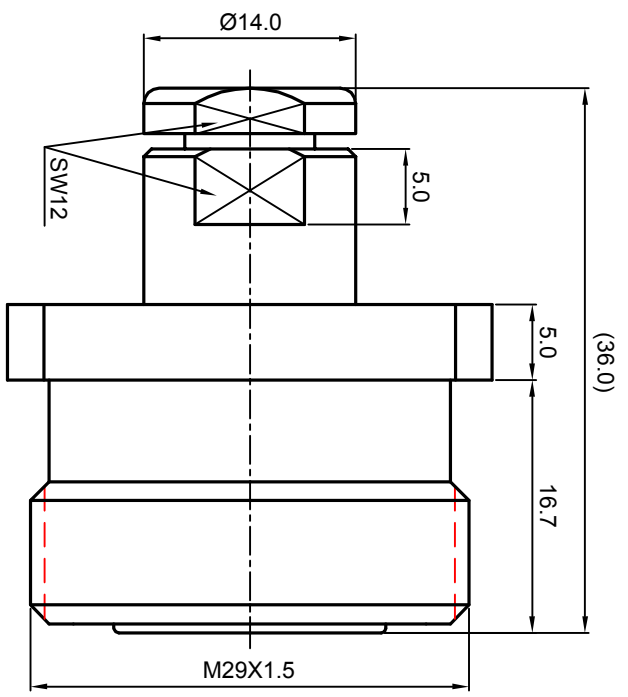
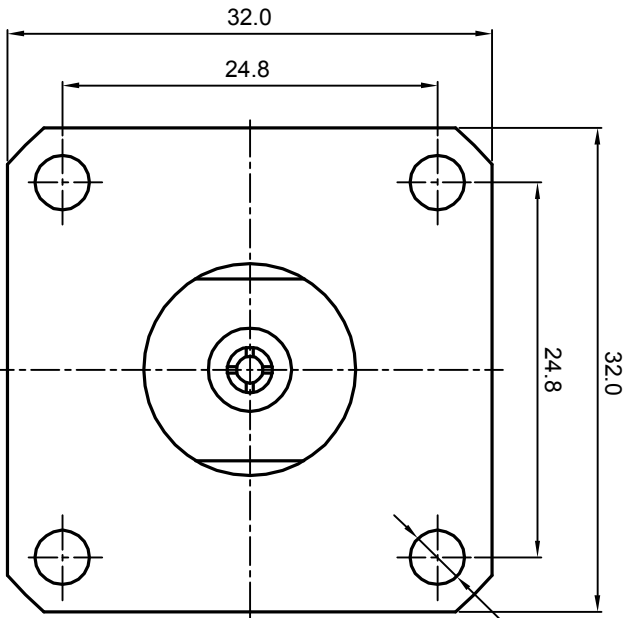
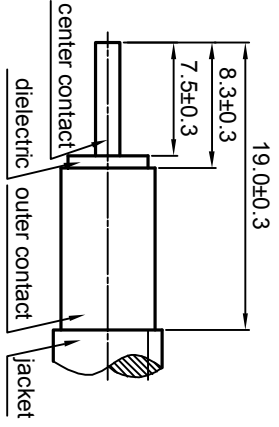


NOTES: (UNLESS OTHERWISE SPECIFIED)

1. The interface comply with IEC 169-4.
2. Part must be packaged to avoid any damaged during transportation.



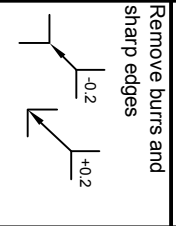
RECOMMENDED CABLE STRIPPING DIMENSIONS



REV.	DESCRIPTION	APPROVED	DATE	ECN

MATERIAL	
SEE BOM FOR DETAILS	
FINISH	
SEE BOM FOR DETAILS	
Plating part to be touched by gloves	
Dimension apply before plating	
XXX - measuring point for plating	
SURFACE	VOLUME

TOLERANCES	
Place	X ±1
1place	.X ±0.1
2place	.XX ±0.05
Angle	±5°



THIRD ANGLE PROJECTION	
GENERAL ECCENTRICITY $\sqrt{0.06}$	
DRAWN BY	NAME
Danny.D	Danny.D
CHECKED BY	DATE
	28Dec07
APPROVED BY	

NOTICE: Those drawings and specifications are the property of ZEETEQ CORPORATION and used only for the specify purpose authorised by ZEETEQ

TITLE	
7/16, JACK, CABLE MOUNT	
DWG NO.	
5232.716.JSC.04.232	
SCALE	SIZE
2:1	A4
DO NOT SCALE DRAWING	SHEET
	1 of 1
REV.	S1



1 2 3 4 5 6

