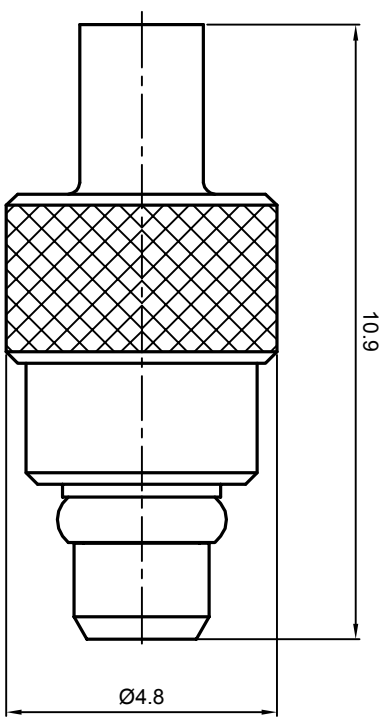


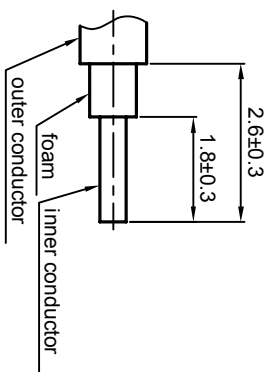
NOTES: (UNLESS OTHERWISE SPECIFIED)

1. The interface comply with CECC 22340.
2. Part must be packaged to avoid any damaged during transportation.

REV.	DESCRIPTION	APPROVED	DATE	ECN



recommended cable stripping dims



MATERIAL SEE BOM FOR DETAILS		TOLERANCES		THIRD ANGLE PROJECTION		TITLE	
FINISH SEE BOM FOR DETAILS		Optace X ±1 1place X ±0.1 2place .XX ±0.05 Angle ±5°				Zeeteq MMCX, PLUG, CABLE	
Plating part to be touched by gloves		Remove burrs and sharp edges		GENERAL ECCENTRICITY <input checked="" type="checkbox"/> 0.06		DWG NO.	
Dimension apply before plating				DRAWN BY Joy zhou		5118.MMCX.PSC.01.111	
XXX - measuring point for plating		APPROVED BY		CHECKED BY		DATE	
SURFACE		VOLUME		DATE		REV.	
NOTICE: Those drawings and specifications are the property of ZEETEQ CORPORATION and used only for the specify purpose authorised by ZEETEQ		SCALE 8:1		DO NOT SCALE DRAWING		SIZE A4	
SHEET 1 of 1		SHEET 1 of 1		SHEET 1 of 1		SHEET 1 of 1	