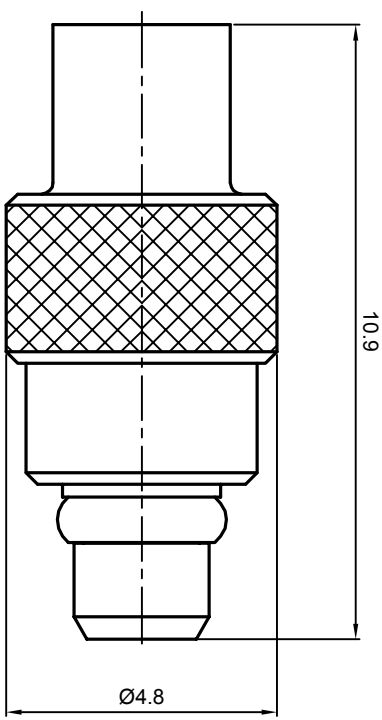


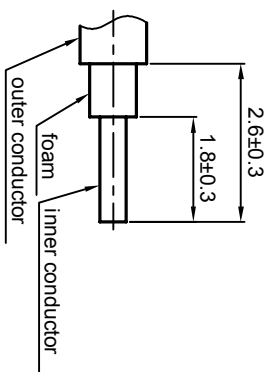
**NOTES: (UNLESS OTHERWISE SPECIFIED)**

1. The interface comply with CECC 22340.
2. Part must be packaged to avoid any damaged during transportation.

REV.	DESCRIPTION	APPROVED	DATE	ECN



recommended cable stripping dims



MATERIAL <b>SEE BOM FOR DETAILS</b>		TOLERANCES		THIRD ANGLE PROJECTION		TITLE	
FINISH <b>SEE BOM FOR DETAILS</b>		Optical X ±1 1place X ±0.1 2place .XX ±0.05 Angle ±5°					
Plating part to be touched by gloves		Remove burrs and sharp edges		GENERAL ECCENTRICITY <input checked="" type="checkbox"/> 0.06		MMCX, PLUG, CABLE	
Dimension apply before plating				DRAWN BY Joy zhou		DWG NO. 5119.MMCX.PSC.02.111	
XXX - measuring point for plating		APPROVED BY		CHECKED BY		DATE 11-Dec-07	
SURFACE		VOLUME		NOTICE: Those drawings and specifications are the property of ZEETEQ CORPORATION and used only for the specify purpose authorised by ZEETEQ		SCALE 8:1	
						DO NOT SCALE DRAWING	
						SIZE A4	
						SHEET 1 of 1	
						REV. S1	

1 2 3 4 5 6

A B C D

1 2 3 4 5 6

A B C D