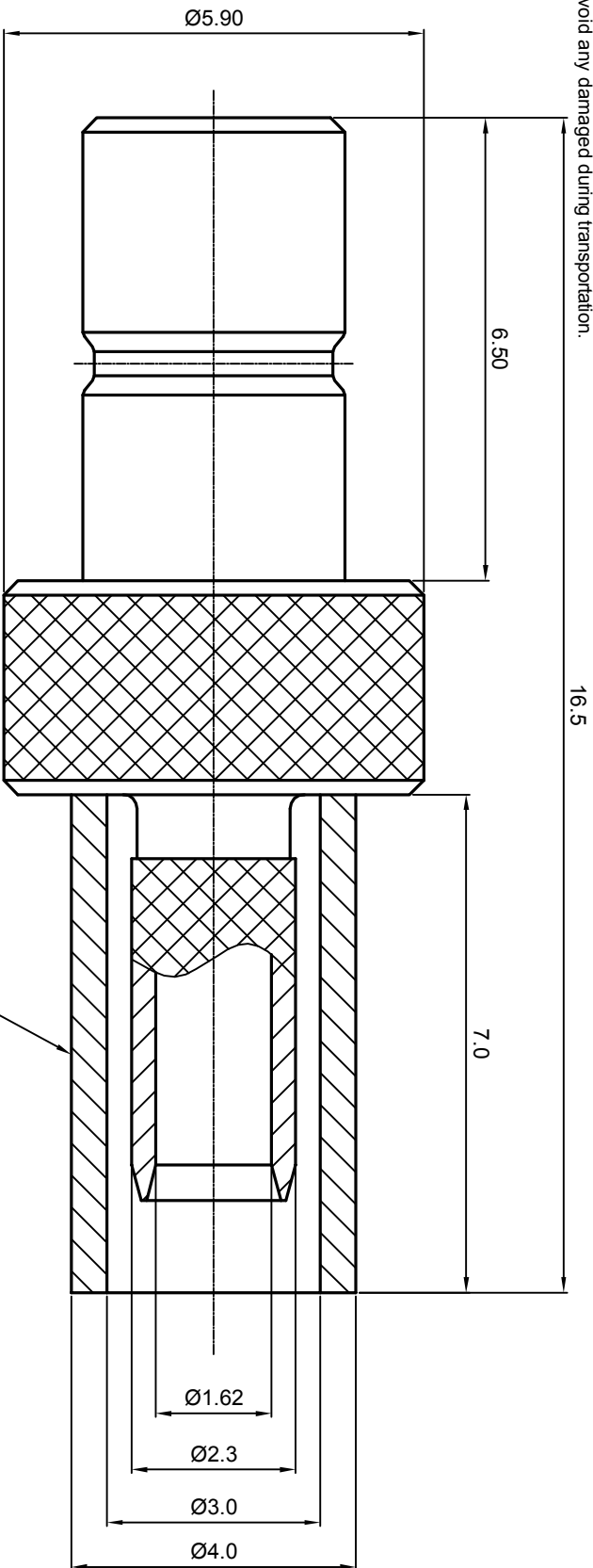
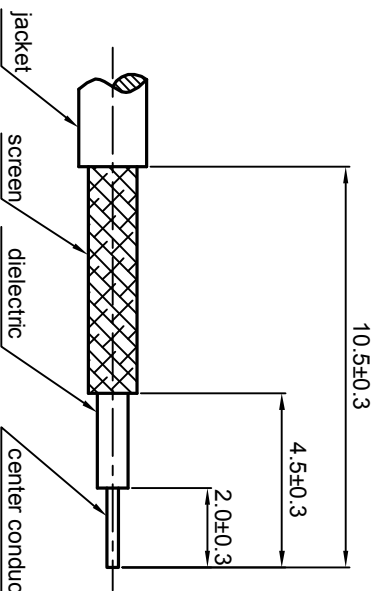


NOTES: (UNLESS OTHERWISE SPECIFIED)

- 1. The interface comply with IEC169-10
- 2. After crimping dimension should be SW3.25
- 3. Part must be packaged to avoid any damaged during transportation.



RECOMMENDED CABLE
STRIPPING DIMENSIONS



REV.	DESCRIPTION	APPROVED	DATE	ECN
A	REL.TO PRODUCTION	Johnny	25Dec07	

MATERIAL SEE BOM FOR DETAILS	
FINISH SEE BOM FOR DETAILS	
Plating part to be touched by gloves	
Dimension apply before plating	
XXX - measuring point for plating	
SURFACE	VOLUME

TOLERANCES	
Opplace	X ±1
1place	X ±0.1
2place	XX ±0.05
Angle	±5°
Remove burrs and sharp edges	

THIRD ANGLE PROJECTION	
GENERAL ECCENTRICITY $\sqrt{0.06}$	
DRAWN BY	NAME
Danny	Danny
CHECKED BY	DATE
Collin	08Nov07
APPROVED BY	DATE
Johnny	25Dec07

NOTICE: Those drawings and specifications are the property of ZEETEQ CORPORATION and used only for the specify purpose authorised by ZEETEQ

TITLE		Zeeteq	
SMB, PLUG, CABLE		DWG. NO.	
5140.SMB.PSC.06.111		REV.	
A		SCALE	
10:1		DO NOT SCALE DRAWING	
SIZE		SHEET	
A4		1 of 1	

