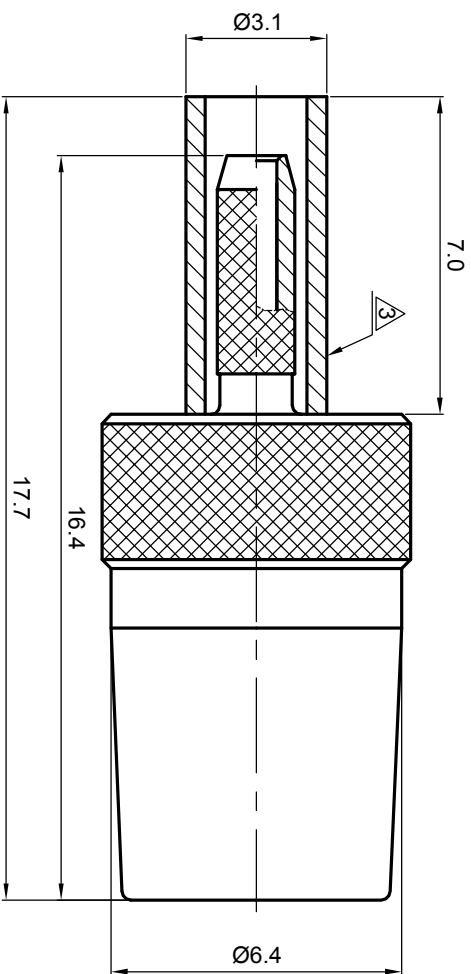


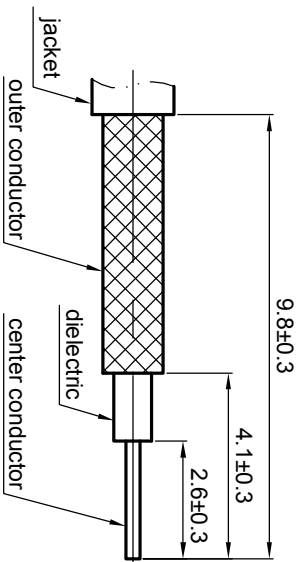
**NOTES: (UNLESS OTHERWISE SPECIFIED)**

1. Interface comply with IEC 169-10.
2. Part must be packaged to avoid any damaged during transportation.

**A** After crimping dimension should be AF/SW 2.67.



Recommended cable stripping dims



REV.	DESCRIPTION	APPROVED	DATE	EON

MATERIAL <b>SEE BOM OF DETAILS</b>		TOLERANCES Oplace X ±1 1place X ±0.1 2place XX ±0.05 Angle ±5°		THIRD ANGLE PROJECTION 		TITLE <b>SMB,jack, cable</b>	
FINISH <b>SEE BOM OF DETAILS</b>		Remove burrs and sharp edges 		GENERAL ECCENTRICITY 0.06		DWG. NO. <b>5147.SMB.JSC.05.111</b>	
Plating part to be touched by gloves		DRAWN BY Billy		NAME Billy		DATE 12 Nov 07	
Dimension apply before plating		CHECKED BY		APPROVED BY		REV. S1	
XXX - measuring point for plating		NOTICE: Those drawings and specifications are the property of ZEETEQ CORPORATION and used only for the specify purpose authorised by ZEETEQ		SCALE 6:1		DO NOT SCALE DRAWING	
SURFACE		VOLUME		SIZE A4		SHEET 1 of 1	



**Zeeteq**

**SMB,jack, cable**

**5147.SMB.JSC.05.111**

**S1**

**A4**

**1 of 1**