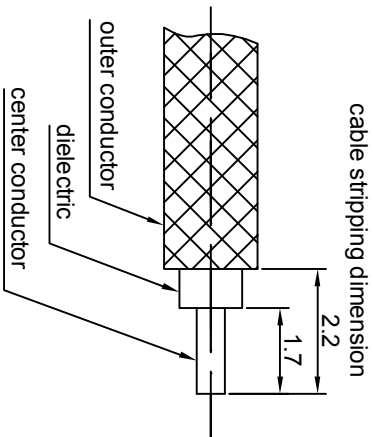
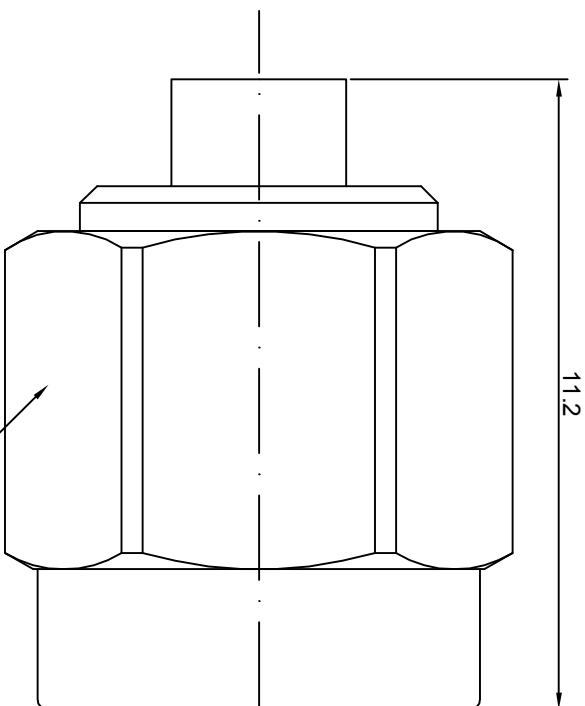


- NOTES: (UNLESS OTHERWISE SPECIFIED)**
- 1 interface comply with IEC169-15
 - 2 part must be packaged to avoid any damages during transportation

REV.	DESCRIPTION	APPROVED	DATE	ECN
A	Rel to production	Johnny	03Aug07	
B	Stripping dim: 1.9 to 1.7.	Joy	29Sep07	ECN_07_004



MATERIAL		see BOM for details		TOLERANCES		THIRD ANGLE PROJECTION		TITLE																							
FINISH		see BOM for details		Optance X ±1 1place X ±0.1 2place .XX ±0.05 Angle ±5°																											
Dimension apply before plating		Remove burrs and sharp edges				<table border="1"> <tr> <th>DRAWN BY</th> <th>NAME</th> <th>DATE</th> </tr> <tr> <td>Colin Dai</td> <td>Colin Dai</td> <td>20Jul07</td> </tr> <tr> <th>CHECKED BY</th> <th>NAME</th> <th>DATE</th> </tr> <tr> <td>Joy Zhou</td> <td>Joy Zhou</td> <td>23Jul07</td> </tr> <tr> <th>APPROVED BY</th> <th>NAME</th> <th>DATE</th> </tr> <tr> <td>Johnny</td> <td>Johnny</td> <td>23Jul07</td> </tr> </table>		DRAWN BY	NAME	DATE	Colin Dai	Colin Dai	20Jul07	CHECKED BY	NAME	DATE	Joy Zhou	Joy Zhou	23Jul07	APPROVED BY	NAME	DATE	Johnny	Johnny	23Jul07	<table border="1"> <tr> <th>DWG NO.</th> <th>REV.</th> </tr> <tr> <td>4999.SMA.PSC.02.111</td> <td>B</td> </tr> </table>		DWG NO.	REV.	4999.SMA.PSC.02.111	B
DRAWN BY	NAME	DATE																													
Colin Dai	Colin Dai	20Jul07																													
CHECKED BY	NAME	DATE																													
Joy Zhou	Joy Zhou	23Jul07																													
APPROVED BY	NAME	DATE																													
Johnny	Johnny	23Jul07																													
DWG NO.	REV.																														
4999.SMA.PSC.02.111	B																														
XXX - measuring point for plating		NOTICE: Those drawings and specifications are the property of ZEETEQ CORPORATION and used only for the specify purpose authorised by ZEETEQ		SCALE		DO NOT SCALE DRAWING		SIZE																							
SURFACE		MASS		8:1		A4		SHEET																							
								1 of 1																							

