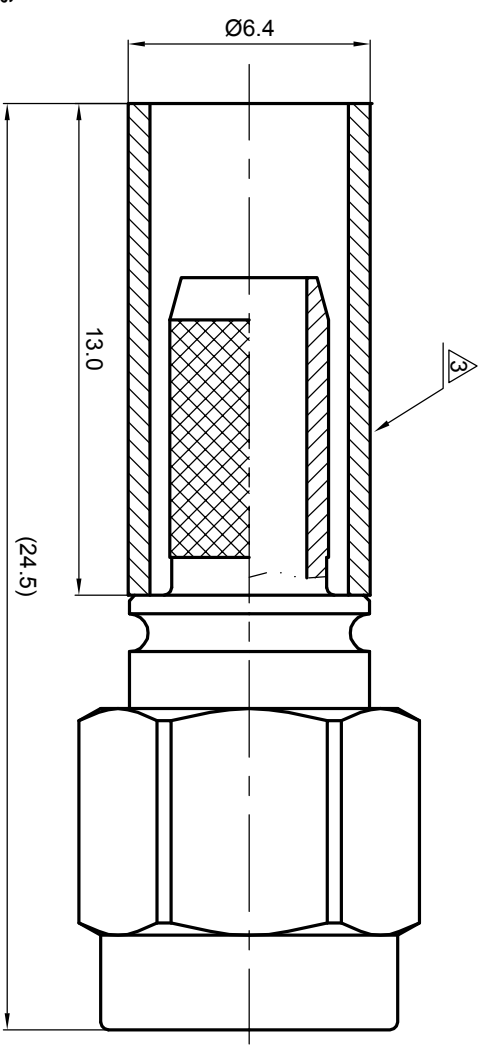


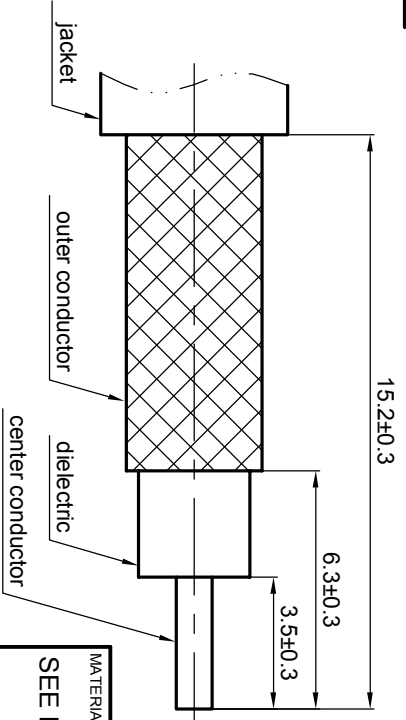
NOTES: (UNLESS OTHERWISE SPECIFIED)

- Interface comply with IEC 169-15.
- Part must be packaged to avoid any damaged during transportation.

| REV. | DESCRIPTION | APPROVED | DATE | EGN |
|------|--------------------|----------|-----------|-----|
| A | REL. TO PRODUCTION | Johnny | 21 Nov 07 | |
| | | | | |



Recommended cable stripping dims



| | | | | | |
|--------------------------------------|--|---|--|---|--|
| MATERIAL | | TOLERANCES | | THIRD ANGLE PROJECTION | |
| SEE BOM OF DETAILS | | Opface X ±1 1place X ±0.1 2place .XX ±0.05 Angle ±5° | | GENERAL ECCENTRICITY <input checked="" type="checkbox"/> 0.06 | |
| FINISH | | Remove burrs and sharp edges | | NAME | |
| SEE BOM OF DETAILS | | -0.2 -0.2 | | DATE | |
| Plating part to be touched by gloves | | | | DRAWN BY | |
| Dimension apply before plating | | | | Billy.Lei | |
| XXX - measuring point for plating | | | | CHECKED BY | |
| | | | | Joy | |
| | | | | APPROVED BY | |
| | | | | Johnny | |
| | | | | DATE | |
| | | | | 21 Nov 07 | |

| | | | | | |
|---------------------|--|----------------------|--|---------------------|--|
| | | | | TITLE | |
| SMA, plug, cable | | | | 5005.SMA.PSC.08.111 | |
| DWG NO. | | | | REV. | |
| 5005.SMA.PSC.08.111 | | | | A | |
| SCALE | | DO NOT SCALE DRAWING | | SIZE | |
| 5:1 | | | | A4 | |
| | | | | SHEET | |
| | | | | 1 OF 1 | |

