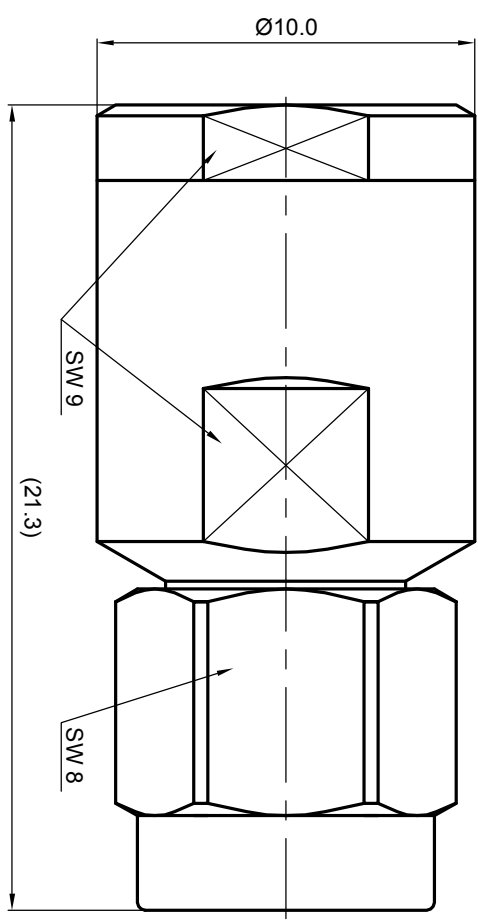


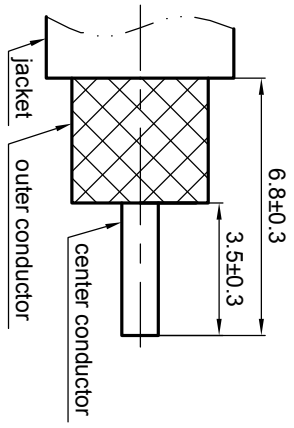
NOTES: (UNLESS OTHERWISE SPECIFIED)

- Interface comply with IEC 169-15.
- Part must be packaged to avoid any damaged during transportation.

REV.	DESCRIPTION	APPROVED	DATE	EON



Recommended cable stripping dims



MATERIAL		SEE BOM OF DETAILS		TOLERANCES		THIRD ANGLE PROJECTION		TITLE	
SEE BOM OF DETAILS		SEE BOM OF DETAILS		Opface X ±1 1place X ±0.1 2place XX ±0.05 Angle ±5°				Zeeteq SMA, plug, cable	
FINISH		SEE BOM OF DETAILS		Remove burrs and sharp edges		GENERAL ECCENTRICITY		DWG. NO.	
Plating part to be touched by gloves		SEE BOM OF DETAILS				<input checked="" type="checkbox"/> 0.06		5181.SMA.PSC.09.111	
Dimension apply before plating		SEE BOM OF DETAILS		-0.2 +0.2		DRAWN BY		SCALE	
XXX - measuring point for plating		SEE BOM OF DETAILS		-0.2 +0.2		BILLY LEI		5:1	
SURFACE		VOLUME		NOTICE: Those drawings and specifications are the property of ZEETEQ CORPORATION and used only for the specify purpose authorised by ZEETEQ		CHECKED BY		DO NOT SCALE DRAWING	
						APPROVED BY		SIZE	
								A4	
								SHEET	
								1 of 1	
								REV.	
								S1	

