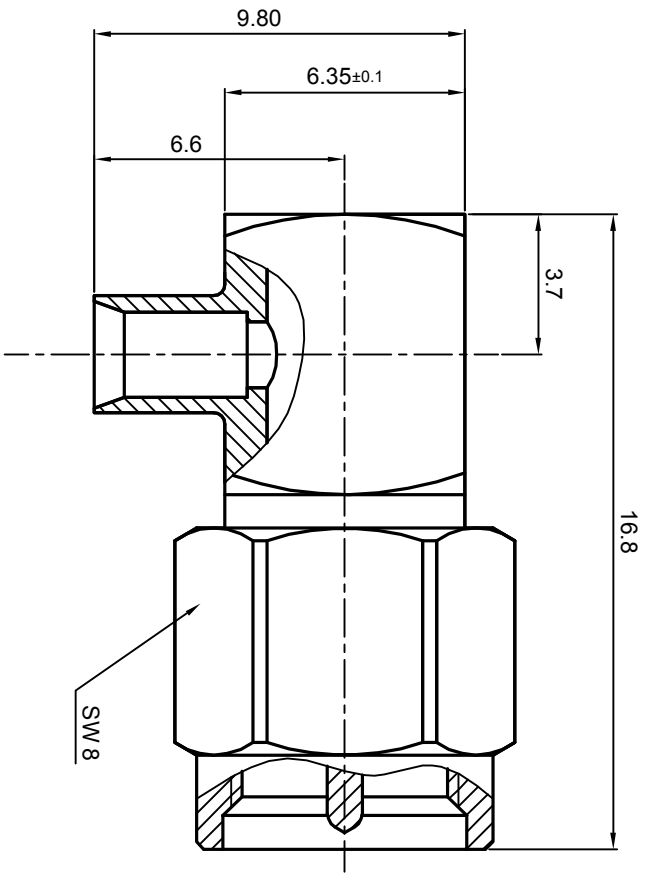
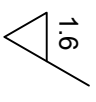


NOTES: (UNLESS OTHERWISE SPECIFIED)

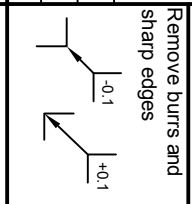
1. The interface comply with IEC169-15



REV.	DESCRIPTION	APPROVED	DATE	ECN
A	REL TO PRODUCTION	Johnny	16Nov07	



MATERIAL		SEE BOM		THIRD ANGLE PROJECTION		TITLE	
FINISH		SEE BOM		GENERAL ECCENTRICITY		SMA, PLUG, CABLE MOUNT	
TOLERANCES		Opface X ±1 1place .X ±0.1 2place .XX ±0.05 Angle ±5°		0.06		DWG NO. 5007.SMA.PRC.01.111	
SURFACE		SEE BOM		DRAWN BY		SCALE	
VOLUME		SEE BOM		CHECKED BY		DO NOT SCALE DRAWING	
SURFACE		SEE BOM		APPROVED BY		SIZE	
VOLUME		SEE BOM		JOHNEY		A4	
SURFACE		SEE BOM		DATE		SHEET	
VOLUME		SEE BOM		16Nov07		1 of 1	
SURFACE		SEE BOM		REV.		A	
VOLUME		SEE BOM		REV.		A	



NOTICE: Those drawings and specifications are the property of ZEETEQ CORPORATION and used only for the specify purpose authorised by ZEETEQ