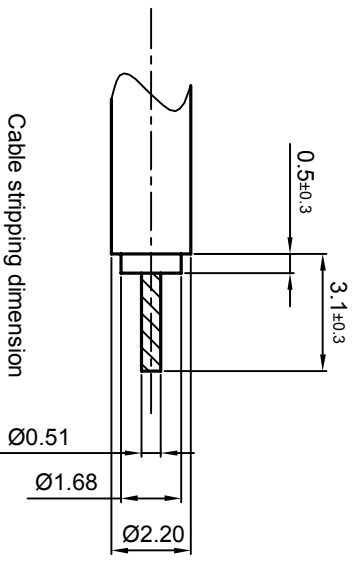
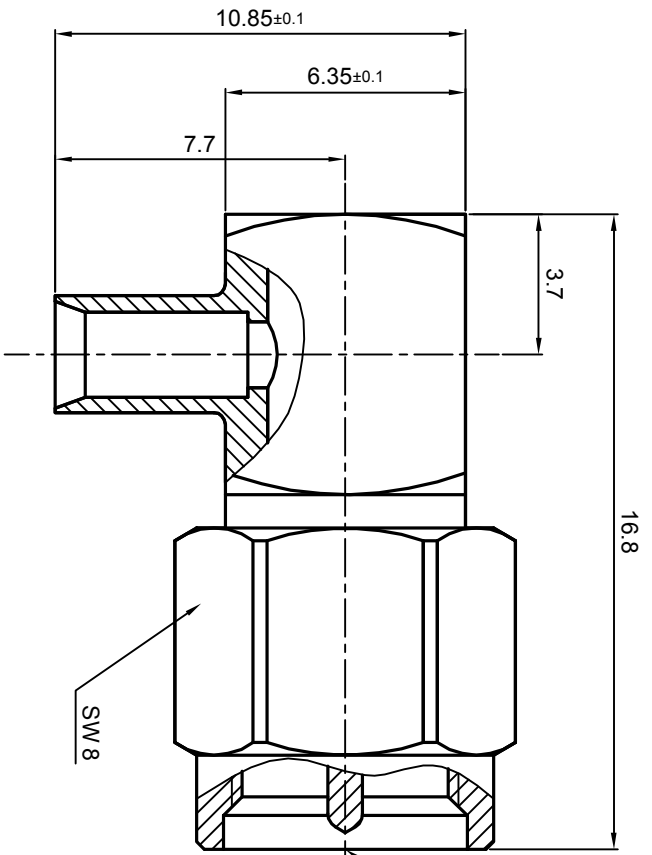


NOTES: (UNLESS OTHERWISE SPECIFIED)

1. The interface comply with IEC169-15



Cable stripping dimension

REV.	DESCRIPTION	APPROVED	DATE	ECN
A	REL TO PRODUCTION	Johnny	30Jul07	
B	B2: change 10.85 to 10.85±0.1	Colln	21Sep07	ECN_07_002

MATERIAL	SEE BOM
FINISH	SEE BOM
Plating part to be touched by gloves	
Dimension apply before plating	
XXX - measuring point for plating	
SURFACE	VOLUME

TOLERANCES	X ±1 X ±0.1 2place XX ±0.05 Angle ±5°
Remove burrs and sharp edges	

THIRD ANGLE PROJECTION	
GENERAL ECCENTRICITY	$\sqrt{0.06}$
DRAWN BY	Colln
CHECKED BY	Joy Zhou
APPROVED BY	Johnny

TITLE	SMA, PLUG, CABLE MOUNT		
DWG NO.	5008.SMA.PRC.02.111		
SCALE	5:1	DO NOT SCALE DRAWING	SIZE A4
REV.	B	REV.	1 of 1

