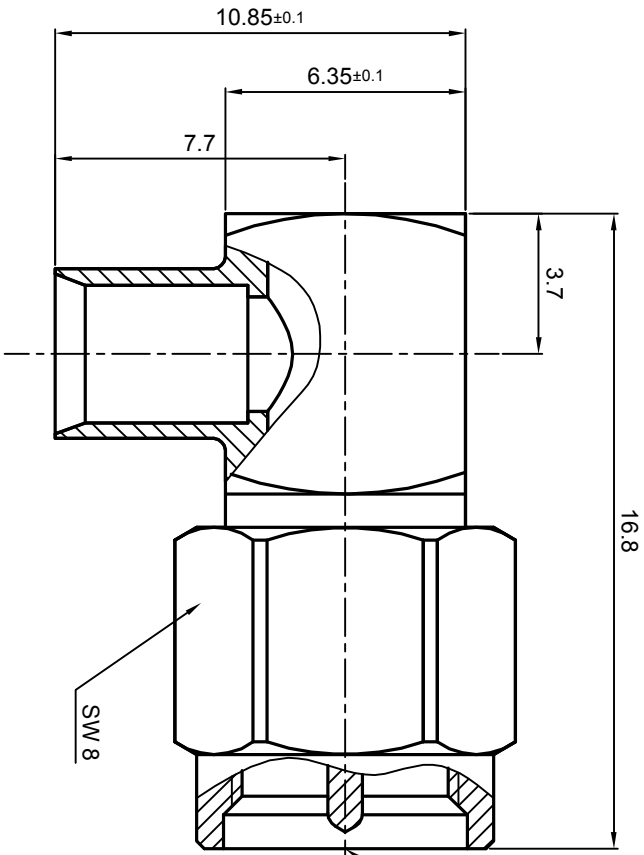
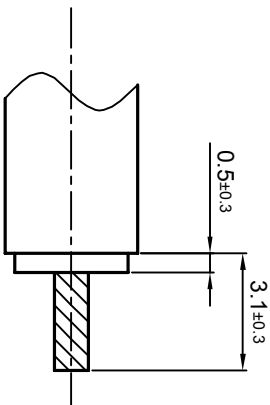


NOTES: (UNLESS OTHERWISE SPECIFIED)

① The interface comply with IEC169-15



REV.	DESCRIPTION	APPROVED	DATE	ECN
A	REL TO PRODUCTION	Johnny	31Jul07	
B	B2: change 10.85 to 10.85±0.1	Collin	21Sep07	ECN_07_002



1.6

MATERIAL		SEE BOM	
FINISH		SEE BOM	
SEE BOM		SEE BOM	
Plating part to be touched by gloves			
Dimension apply before plating			
XXX - measuring point for plating			
SURFACE		VOLUME	
TOLERANCES		Remove burrs and sharp edges	
Oplace X ±1		-0.1	
1place X ±0.1		+0.1	
2place XX ±0.05			
Angle ±5°			
THIRD ANGLE PROJECTION			
GENERAL ECCENTRICITY		0.06	
DRAWN BY		NAME	
Collin		Collin	
DATE		DATE	
16Jul07		16Jul07	
CHECKED BY		NAME	
Joy Zhou		Joy Zhou	
DATE		DATE	
17Jul07		17Jul07	
APPROVED BY		NAME	
Johnny		Johnny	
DATE		DATE	
17Jul07		17Jul07	
TITLE		SMA, PLUG, CABLE MOUNT	
DWG. NO.		5009.SMA.PRC.03.111	
SCALE		5:1	
DO NOT SCALE DRAWING		SIZE	
		A4	
REV.		B	
SHEET		1 of 1	