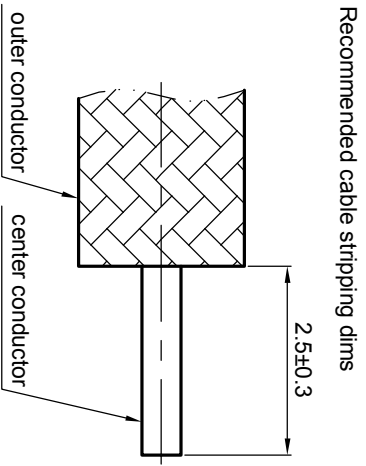
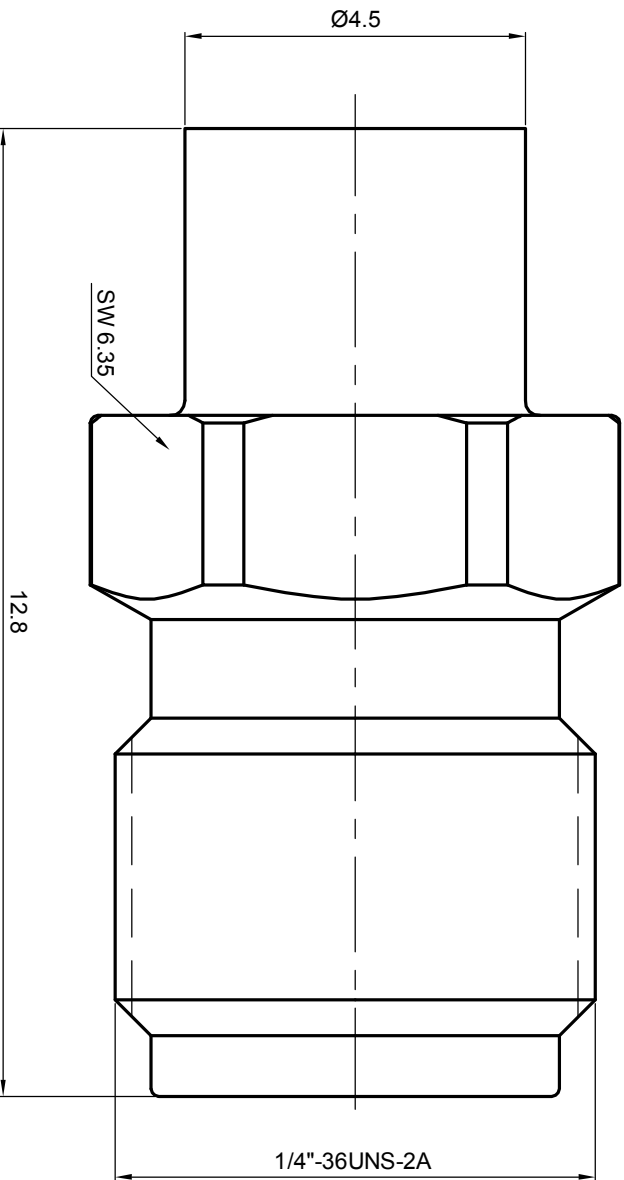


NOTES: (UNLESS OTHERWISE SPECIFIED)

1. Interface comply with IEC 169-15.
2. Part must be packaged to avoid any damaged during transportation.



Recommended cable stripping dims

REV.	DESCRIPTION	APPROVED	DATE	ECN

MATERIAL		SEE BOM OF DETAILS		TOLERANCES		THIRD ANGLE PROJECTION	
SEE BOM OF DETAILS		SEE BOM OF DETAILS		Opface X ±1 1place X ±0.1 2place .XX ±0.05 Angle ±5°		GENERAL ECCENTRICITY <input checked="" type="checkbox"/> 0.06	
FINISH		Remove burrs and sharp edges		-0.2 ±0.2		DRAWN BY Billy.Lei 11 Oct 07 CHECKED BY APPROVED BY	
SURFACE		VOLUME		NOTICE: Those drawings and specifications are the property of ZEETEQ CORPORATION and used only for the specify purpose authorised by ZEETEQ.			
Plating part to be touched by gloves							



TITLE Zeeteq SMA, Jack, cable				DWG NO. 5158.SMA.JSC.02.110		REV. S1	
SCALE		DO NOT SCALE DRAWING		SIZE		SHEET	
5:1				A4		1 OF 1	