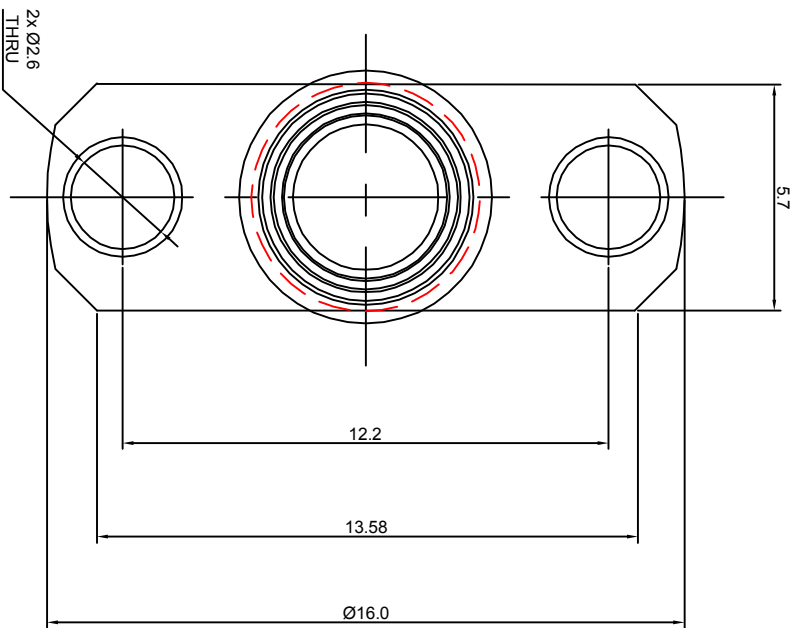
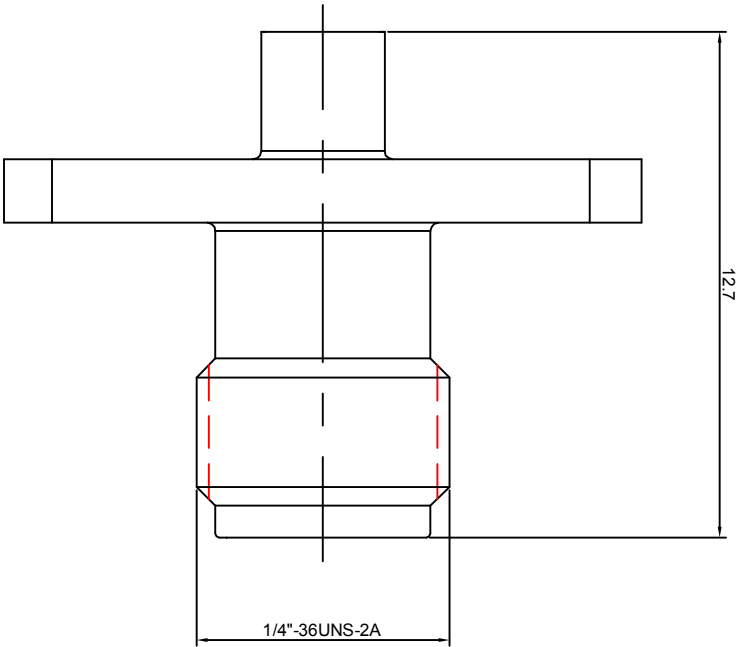
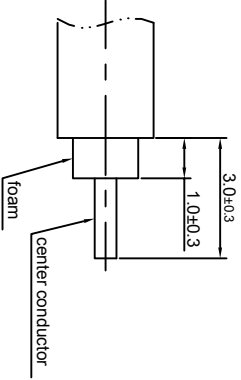


- NOTES: (UNLESS OTHERWISE SPECIFIED)**
1. INTERFACE COMPLY WITH IEC 169-15.
  2. PART MUST BE PACKAGED TO AVOID ANY DAMAGES DURING TRANSPORTATION.



RECOMMENDED CABLE STRIPPING DIMENSIONS



REV.	DESCRIPTION	APPROVED	DATE	ECN
A	Rel to production	Johnny	22Nov07	

MATERIAL SEE BOM FOR DETAILS		TOLERANCES 0place X ±1 1place X ±0.1 2place XX ±0.05 Angle 45°		THIRD ANGLE PROJECTION		TITLE <b>Zeeteq</b>	
FINISH SEE BOM FOR DETAILS		Remove burrs and sharp edges -0.1 -0.1		GENERAL ECCENTRICITY 0.06		DRAWN BY Joy Zhou 25JUL07	
Plating part to be touched by gloves Dimension apply before plating XXX - measuring part or plating		APPROVED BY Johnny 22Nov07		NAME Billy Lei		DATE 22Nov07	
SURFACE		NOTICE: Those drawings and specifications are the property of ZEETEQ CORPORATION and used only for the specific purpose authorised by ZEETEQ.		CHECKED BY Billy Lei		SMA, jack, cable mount	
VOLUME		SCALE 2:1		DO NOT SCALE DRAWING		REV. A	
		1.6		SIDE A3		SHEET 1 of 1	