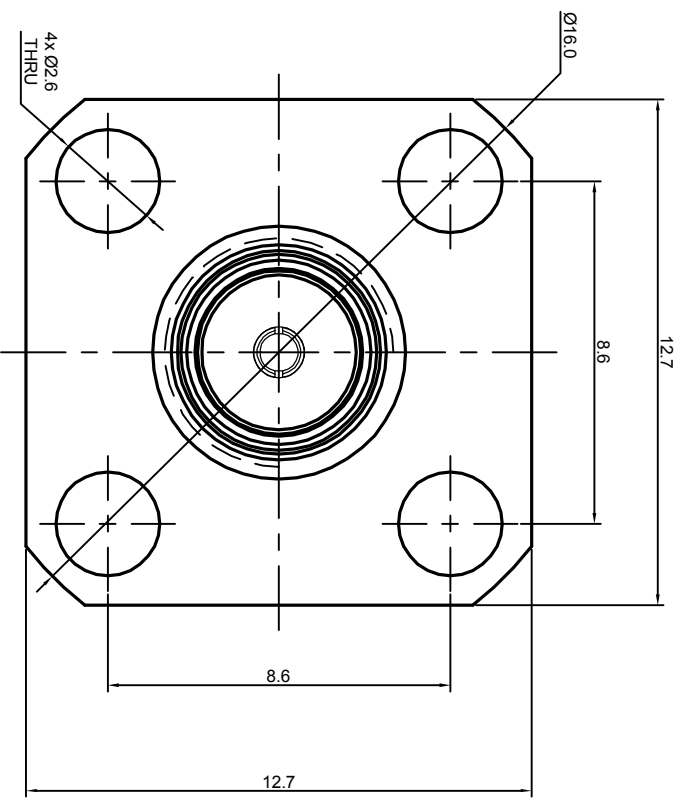
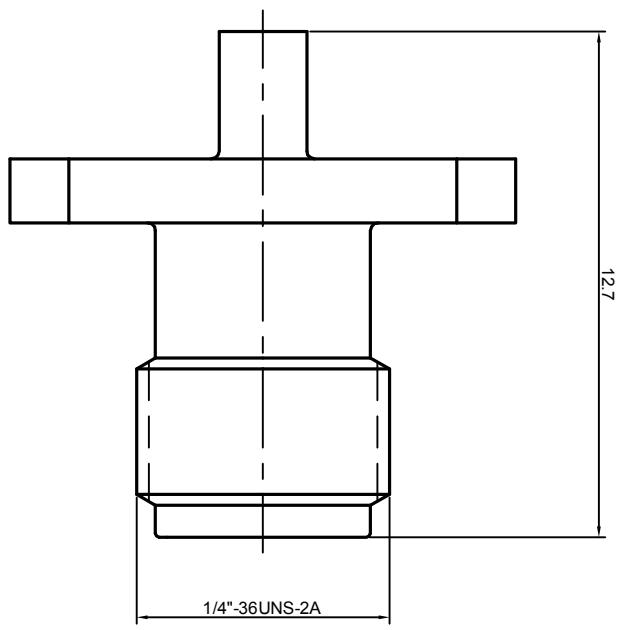
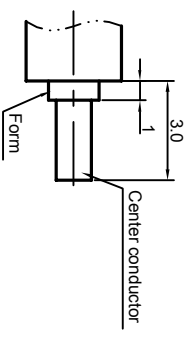


- NOTES: (UNLESS OTHERWISE SPECIFIED)**
1. INTERFACE COMPLY WITH IEC 169-15.
 2. PART MUST BE PACKAGED TO AVOID ANY DAMAGES DURING TRANSPORTATION.



RECOMMENDED CABLE STRIPPING DIMENSIONS



REV.	DESCRIPTION	APPROVED	DATE	ECN

MATERIAL SEE BOM FOR DETAILS		THIRD ANGLE PROJECTION		Zeeteq	
FINISH SEE BOM FOR DETAILS		<input checked="" type="checkbox"/> ASME Y14.5 <input type="checkbox"/> ISO 10303		TITLE SMA, jack, cable mount	
SEE BOM FOR DETAILS		TOLERANCES 0place X ±1 1place X ±0.1 2place XX ±0.05 Angle 45°		DRAWN BY Joy Zhou	
Plating part to be touchably gloves Dimension apply before plating XXX - measuring part or plating		Remove burrs and sharp edges -0.1 -0.1		DATE 23Jul07	
SURFACE		CHECKED BY		APPROVED BY	
VOLUME		APPROVED BY		REV. S1	
NOTICE: Those drawings and specifications are the property of ZEETEO CORPORATION and used only for the specify purpose authorised by ZEETEO.					
DWG NO. 5018.SMA.JSC.01.110		SCALE 2:1		DO NOT SCALE DRAWING	
SHEET 1 of 1		SIZE A3		SHEET 1 of 1	

