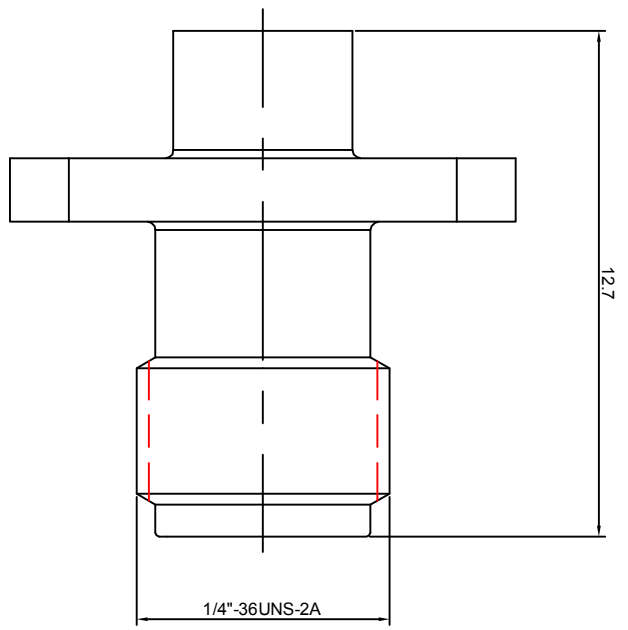
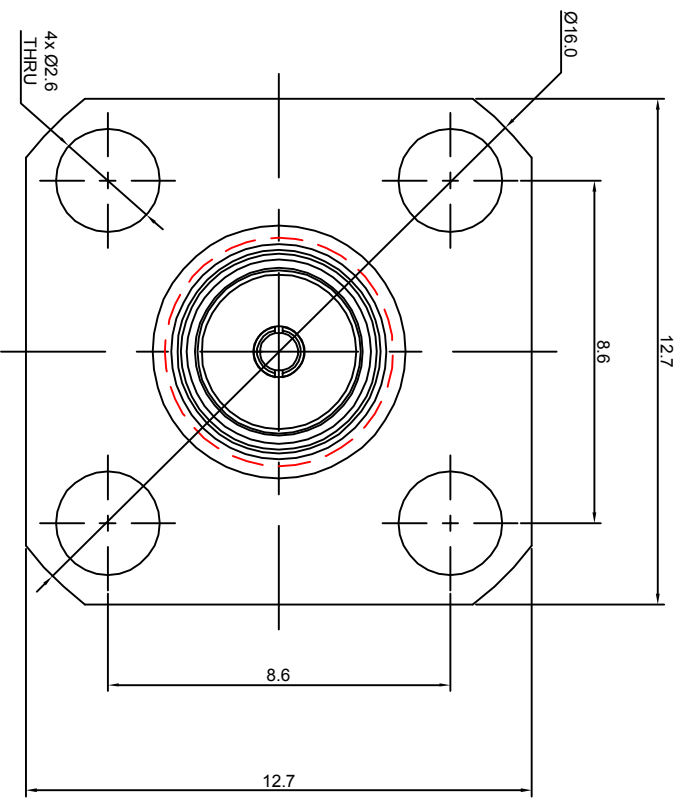
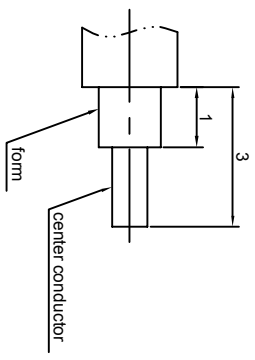


- NOTES:** (UNLESS OTHERWISE SPECIFIED)
- INTERFACE COMPLY WITH IEC 169-15;
 - PART MUST BE PACKAGED TO AVOID ANY DAMAGES DURING TRANSPORTATION.



RECOMMENDED CABLE STRIPPING DIMENSIONS



REV.	DESCRIPTION	APPROVED	DATE	ECN
A	Rel to production	Johnny	06Aug07	
B	Update stripping dims.	Joy Zhou	06Dec07	EON_07_012

MATERIAL		TOLERANCES		THIRD ANGLE PROJECTION		TITLE	
SEE BOM FOR DETAILS		Øhole X ±1 2place X ±0.1 3place .XX ±0.06 Angle 45°					
FINISH		Remove burrs and sharp edges		DRAWN BY		SMA, jack, cable mount	
SEE BOM FOR DETAILS				NAME		DWG NO.	
Plating part to be touched by gloves		-0.1		DATE		5020.SMA.JSC.03.110	
Dimension apply unless plating		-0.1		24Jul07		SCALE	
XXX - measuring point for plating		1:0.1		23Jul07		2:1	
SURFACE		NOTICE: Those drawings and specifications are the property of ZEETEQ CORPORATION and used only for the specific purpose authorized by ZEETEQ.		APPROVED BY		DO NOT SCALE DRAWING	
VOLUME				Johnny		SIDE	
				23Jul07		A3	
						SHEET	
						1 of 1	
						REV	
						B	

