

# DATA SHEET

## Cable connector



### Part Number

5020.SMA.JSC.03.110

### Description

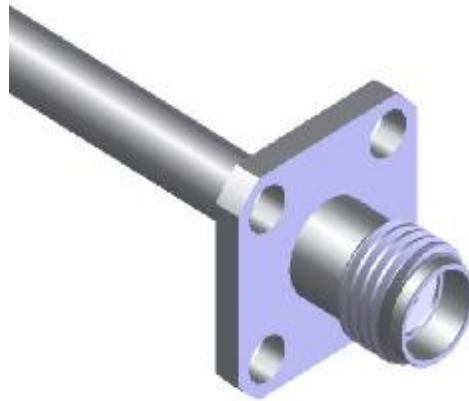
SMA, Jack, Straight, Cable Mount

### Interface Standard

IEC 60169-15

### Suitable Cable

RG402/U, UT141



### Electrical Data

Impedance	50	$\Omega$		
Max. operating frequency	18	GHz	connector limited	
Frequency range	DC to 1GHz	1 to 2.2GHz	2.2 to 3GHz	3 to 6GHz
VSWR	$\leq 1.02$	$\leq 1.03$	$\leq 1.03$	$\leq 1.08$
Insertion loss	$0.03 \sqrt{f(\text{GHz})}$	dB		
Insulation resistance	$\geq 5000$	M $\Omega$		
Center contact resistance	$\leq 3$	m $\Omega$		
Outer contact resistance	$\leq 2.5$	m $\Omega$		
Dielectric withstanding voltage	$\geq 750$	Vrms @ 50Hz	cable limited	
Working voltage	$\geq 250$	Vrms @ 50Hz	cable limited	

### Mechanical Data

Mating cycles	$\geq 500$	
Center contact axial force	$\geq 22$	N
Center contact axial torque	$\geq 0.03$	Nm
contact gauge ret. Force	$\geq 0.28$	N
Center contact	solder	
Outer contact	solder	
Cable retention force		
UT141	$\geq 309.1$	N
RG402/U	$\geq 100$	N

### Environmental Data

Operating temperature	restricted by cable and/or silicone used
2002/95/EC (ROHS)	compliant
Sealing	N/A
Thermal shock	MIL-STD-202 Method107, condition B
Moisture resistance	MIL-STD-202 Method106
Corrosion resistance	MIL-STD-202 Method101, condition B
Vibration	MIL-STD-202 Method204, condition D
Shock	MIL-STD-202 Method213, condition I

### Material Data

Piece Parts	Material	Surface Plating
center contact	Beryllium copper	Au
body	Brass	Au
insulator	PTFE	