

DATA SHEET

Cable connector



Part Number

5028.SMA.JSC.09.111

Description

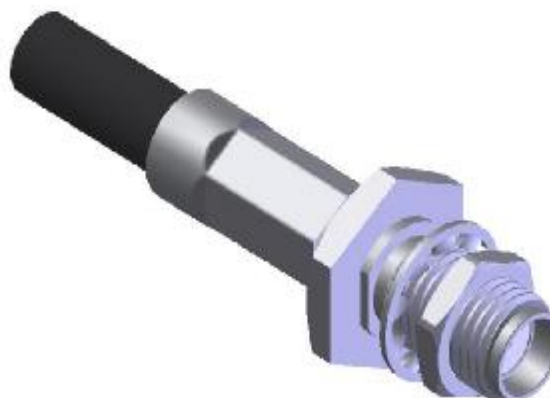
SMA, Jack, Straight, Cable

Interface Standard

IEC 60169-15

Suitable Cable

RG142B/U, RG223/U, RG400/U



Electrical Data

Impedance	50	Ω		
Max. operating frequency	12.4	GHz	cable limited	
Frequency range	DC to 1GHz	1 to 2.2GHz	2.2 to 3GHz	3 to 6GHz
VSWR	≤ 1.05	≤ 1.07	≤ 1.07	≤ 1.15
Insertion loss	$0.03 \sqrt{f(\text{GHz})}$	dB		
Insulation resistance	≥ 5000	M Ω		
Center contact resistance	≤ 3	m Ω		
Outer contact resistance	≤ 2.5	m Ω		
Dielectric withstanding voltage	≥ 1000	Vrms @ 50Hz	cable limited	
Working voltage	≤ 480	Vrms @ 50Hz	cable limited	

Mechanical Data

Mating cycles	≥ 500	
Center contact axial force	≥ 22	N
Center contact axial torque	≥ 0.03	Nm
contact gauge ret. Force	≥ 0.28	N
Center contact	solder	
Outer contact	crimp	
Cable retention force		
RG142B/U	≥ 257.5	N
RG223/U	≥ 257.5	N
RG400/U	≥ 257.5	N

Environmental Data

Operating temperature	restricted by cable and/or silicone used
2002/95/EC (ROHS)	compliant
Sealing	N/A
Thermal shock	MIL-STD-202 Method107, condition B
Moisture resistance	MIL-STD-202 Method106
Corrosion resistance	MIL-STD-202 Method101, condition B
Vibration	MIL-STD-202 Method204, condition D
Shock	MIL-STD-202 Method213, condition I

Material Data

Piece Parts	Material	Surface Plating
center contact	Beryllium copper	Au
outer contact	Brass	Au
body	Brass	Au
insulator	PTFE	
Ferrule	Brass	Au
Lock washer	Phosphor bronze	Au

Zeeteq the technoledge connecting people

No. 51 Sci.-Tech Industry Park, Huoju
Road, SND, Suzhou, China
Zip: 215009

Tel: +86 512 6807 8808
Fax: +86 512 6807 8818
www.zeeteq.com

Rev.: a
issued: 2008-6-23
page: 1 of 1