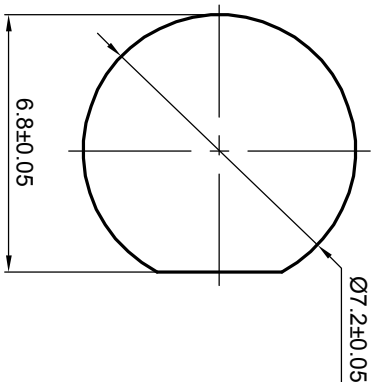


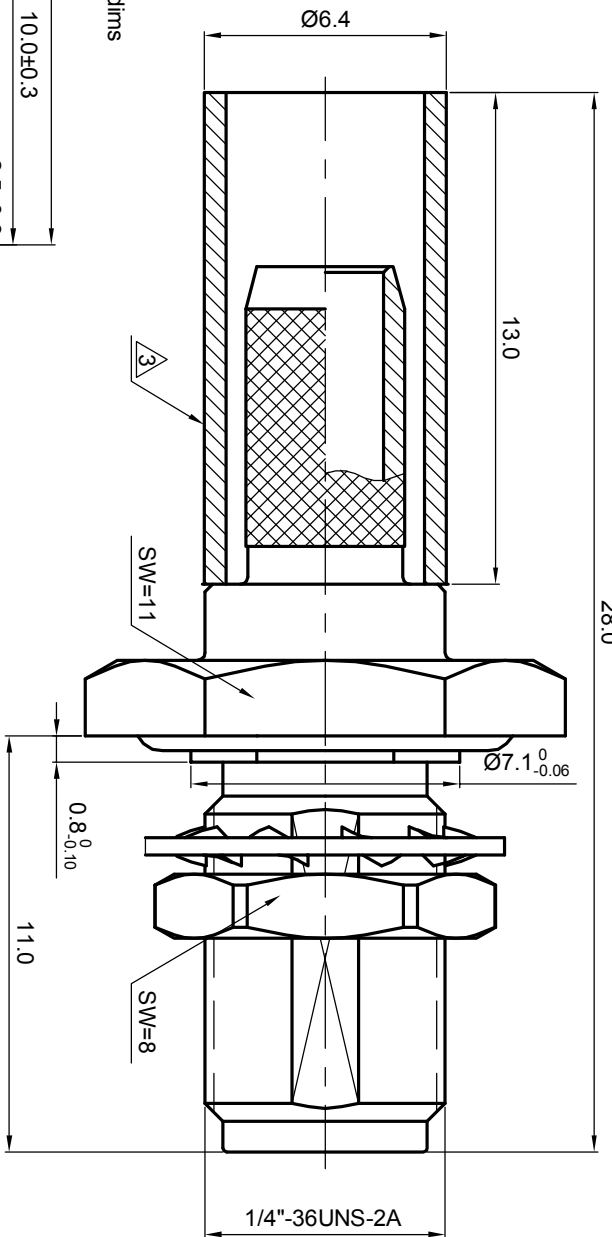
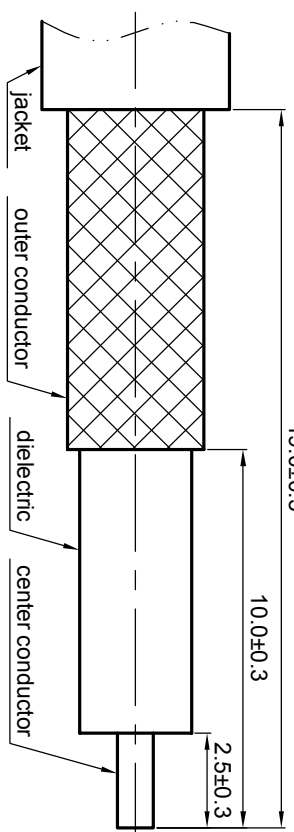
**NOTES: (UNLESS OTHERWISE SPECIFIED)**

1. Interface comply with IEC 169-15.
2. Part must be packaged to avoid any damaged during transportation.
3. After crimping dimension should be AF/SW 5.41.

Mounting hole



Recommended cable stripping dims



REV.	DESCRIPTION	APPROVED	DATE	EON

1	2	3	4	5	6			
<p><b>MATERIAL</b></p> <p>SEE BOM OF DETAILS</p> <p><b>FINISH</b></p> <p>SEE BOM OF DETAILS</p> <p>Plating part to be touched by gloves</p> <p>Dimension apply before plating</p> <p>XXX - measuring point for plating</p> <p><b>SURFACE</b></p> <p><b>VOLUME</b></p>			<p><b>TOLERANCES</b></p> <p>Opface X ±1</p> <p>1place X ±0.1</p> <p>2place XX ±0.05</p> <p>Angle ±5°</p> <p>Remove burrs and sharp edges</p> <p><b>THIRD ANGLE PROJECTION</b></p> <p>GENERAL ECCENTRICITY <input checked="" type="checkbox"/> 0.06</p> <p><b>DRAWN BY</b> NAME DATE</p> <p>Billy Lei 29 Feb 08</p> <p><b>CHECKED BY</b></p> <p><b>APPROVED BY</b></p>			<p><b>TITLE</b></p> <p><b>SMA,Jack,cable</b></p> <p>DWG NO. 5178.SMA.JSC.08.111</p> <p>SCALE 5:1</p> <p>DO NOT SCALE DRAWING</p> <p>SIZE A4</p> <p>SHEET 1 of 1</p>		
<p><b>NOTICE:</b> Those drawings and specifications are the property of ZEETEQ CORPORATION and used only for the specify purpose authorised by ZEETEQ</p>			<p><b>Zeeteq</b></p>					

