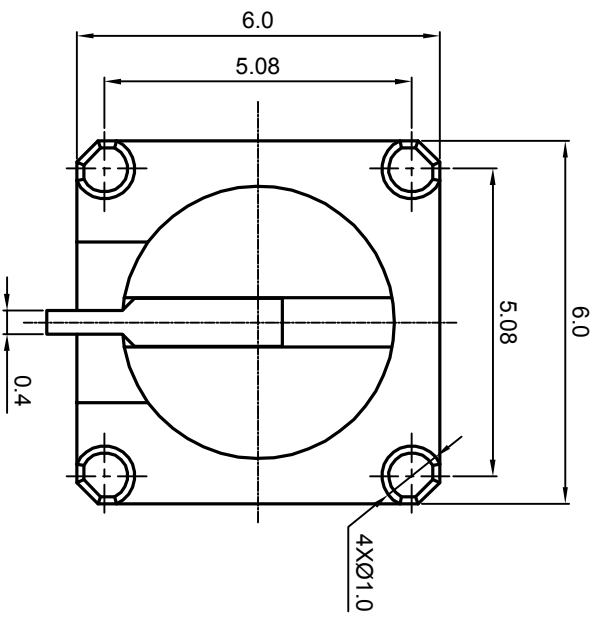
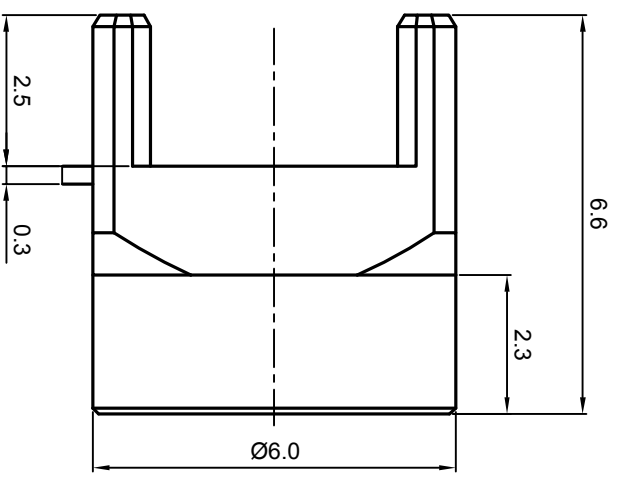
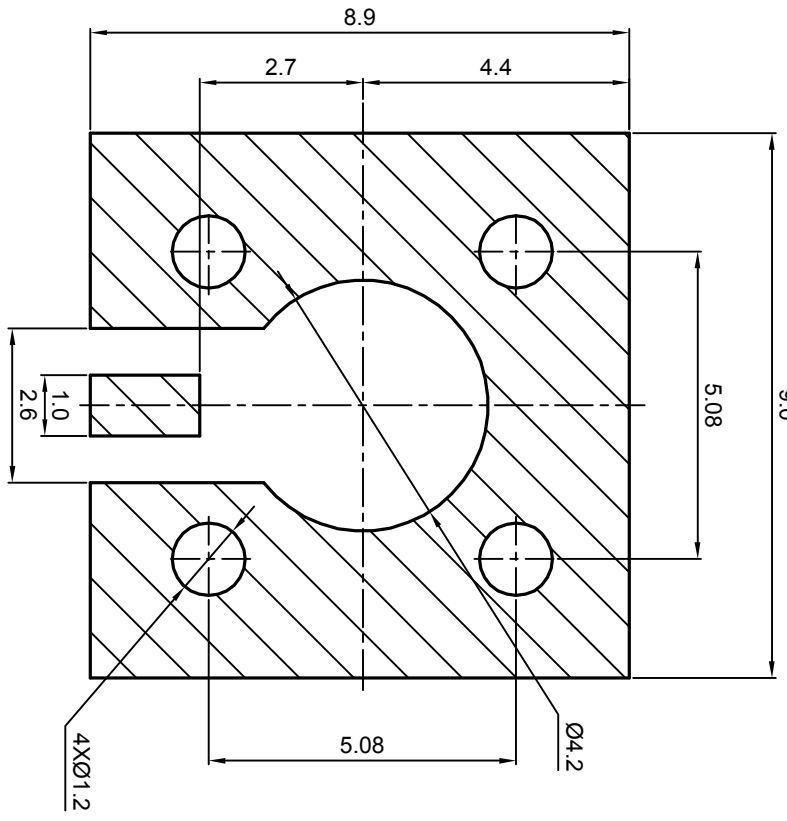


**NOTES: (UNLESS OTHERWISE SPECIFIED)**

1. The interface comply with MIL-STD-348A.

PCB Layout



1.6

REV.	DESCRIPTION	APPROVED	DATE	ECN

1	2	3	4	5	6
---	---	---	---	---	---

<b>MATERIAL</b> SEE BOM FOR DETAILS		<b>TOLERANCES</b> Oplate X ±1 1place X ±0.1 2place XX ±0.05 Angle ±5°		<b>THIRD ANGLE PROJECTION</b> 	
<b>FINISH</b> SEE BOM FOR DETAILS		Remove burrs and sharp edges 		GENERAL ECCENTRICITY <input checked="" type="checkbox"/> 0.06	
Plating part to be touched by gloves Dimension apply before plating XXX - measuring point for plating		DRAWN BY Danny.D		NAME Danny.D	
SURFACE		CHECKED BY		DATE 05NOV07	
VOLUME		APPROVED BY		TITLE <b>SMP, PLUG, PCB</b>	
NOTICE: Those drawings and specifications are the property of ZEETEQ CORPORATION and used only for the specify purpose authorised by ZEETEQ		DWG. NO. <b>5993.SMP.PST.00.110</b>		REV. <b>S1</b>	
SCALE 8:1		DO NOT SCALE DRAWING		SIZE A4	
SHEET 1 of 1		REV.		SHEET	