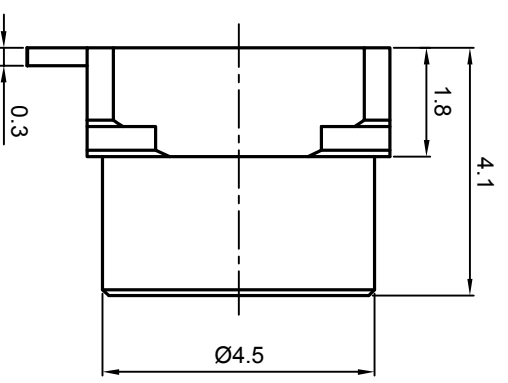
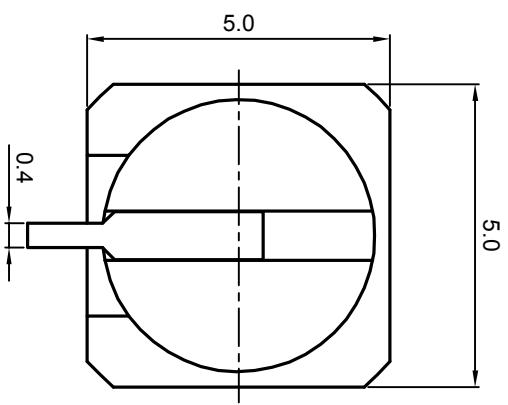
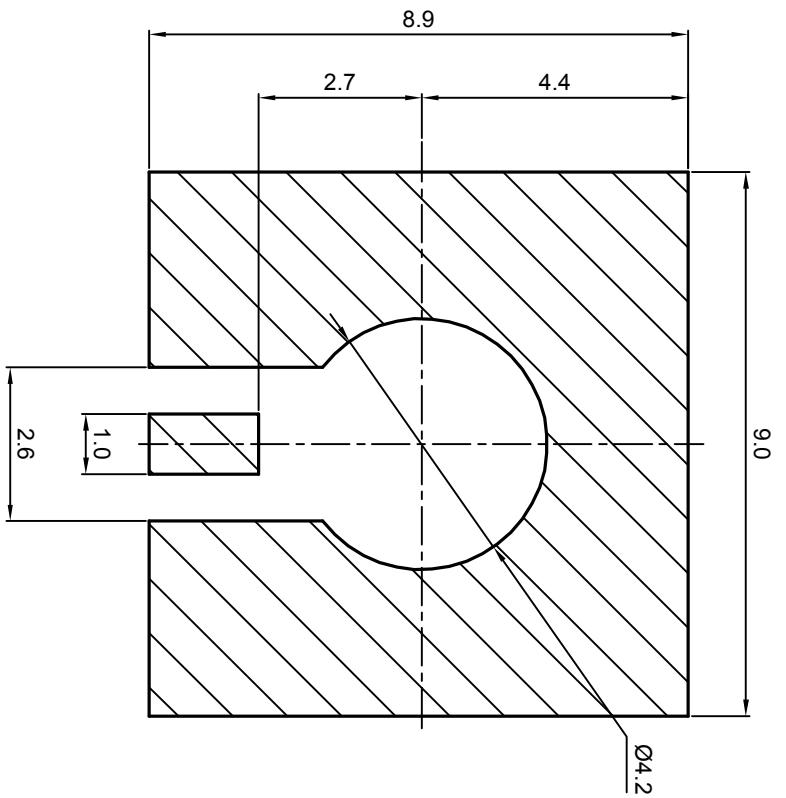


NOTES: (UNLESS OTHERWISE SPECIFIED)

1. The interface comply with MIL-STD-348A.

PCB Layout



1.6

REV.	DESCRIPTION	APPROVED	DATE	EON

MATERIAL SEE BOM FOR DETAILS		TOLERANCES 0place X ±1 1place X ±0.1 2place XX ±0.05 Angle ±5°		THIRD ANGLE PROJECTION 		TITLE SMP, PLUG, PCB	
FINISH SEE BOM FOR DETAILS		Remove burrs and sharp edges 		GENERAL ECCENTRICITY <input checked="" type="checkbox"/> 0.06		DWG. NO. 5994.SMP.PSS.00.110	
Plating part to be touched by gloves Dimension apply before plating XXX - measuring point for plating		NOTICE: Those drawings and specifications are the property of ZEETEQ CORPORATION and used only for the specify purpose authorised by ZEETEQ		NAME Danny.D		DATE 05NOV07	
SURFACE		VOLUME		DRAWN BY Danny.D		CHECKED BY	
APPROVED BY		APPROVED BY		APPROVED BY		REV. S1	

SCALE 8:1 DO NOT SCALE DRAWING SIZE A4 SHEET 1 of 1