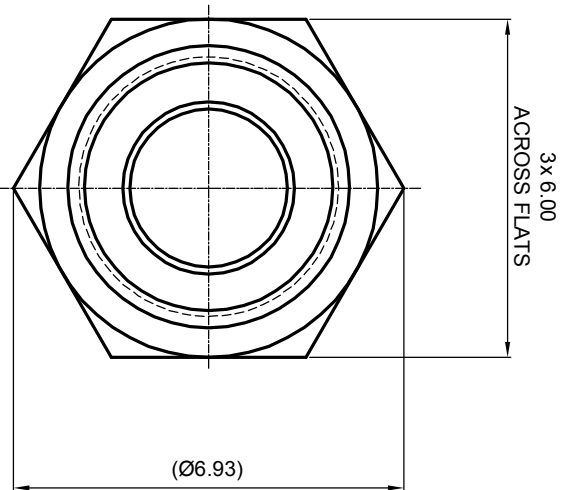
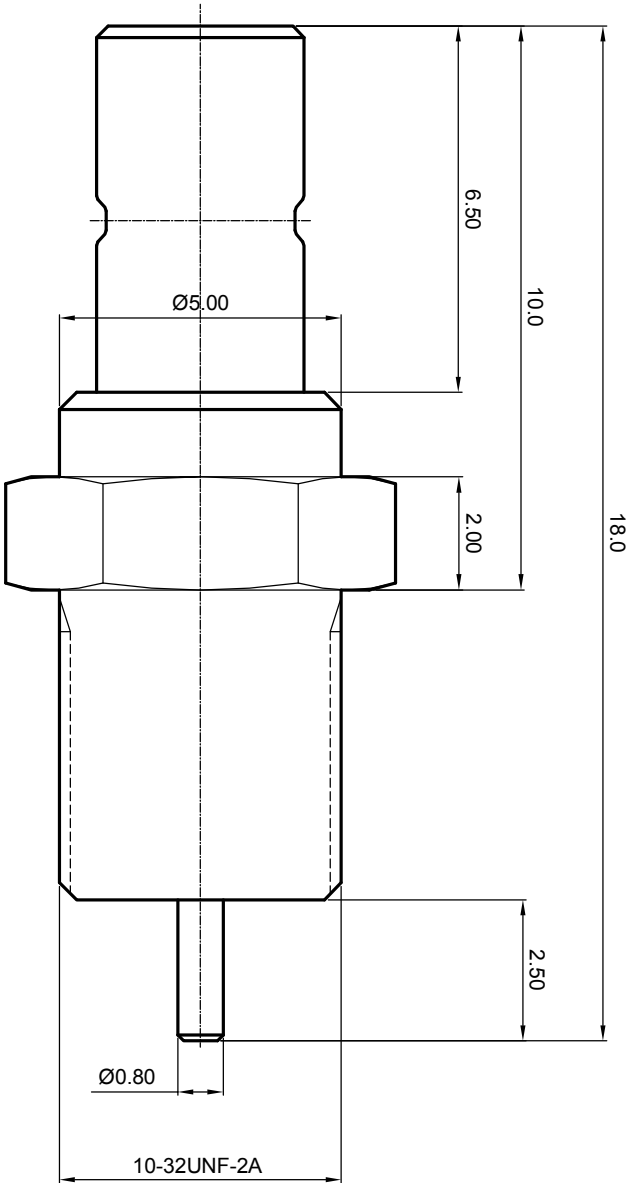


- NOTES: (UNLESS OTHERWISE SPECIFIED)**
1. The interface comply with IEC 169-10.
 2. Part must be packaged to avoid any damages during transportation.



1.6

REV.	DESCRIPTION	APPROVED	DATE	ECN

MATERIAL SEE BOM		TOLERANCES		THIRD ANGLE PROJECTION		Zeeteq	
FINISH SEE BOM		Optace X ±1	1place X ±0.1	2place .XX ±0.05	Angle ±5°	GENERAL ECCENTRICITY <input checked="" type="checkbox"/> 0.06	TITLE SMB, PLUG, BULKHEAD
Plating part to be touched by gloves		Remove burrs and sharp edges		DRAWN BY Joy Zhou		NAME Joy Zhou	DATE 17Oct07
Dimension apply before plating				CHECKED BY		APPROVED BY	DWG NO. 6083.SMB.PSB.00.110
XXX - measuring point for plating				NOTICE: Those drawings and specifications are the property of ZEETEQ CORPORATION and used only for the specify purpose authorised by ZEETEQ		SCALE 8:1	DO NOT SCALE DRAWING
SURFACE		VOLUME		SIZE A4		SHEET 1 of 1	

A

1

2

3

4

5

6

1

2

3

4

5

6

A

B

C

D