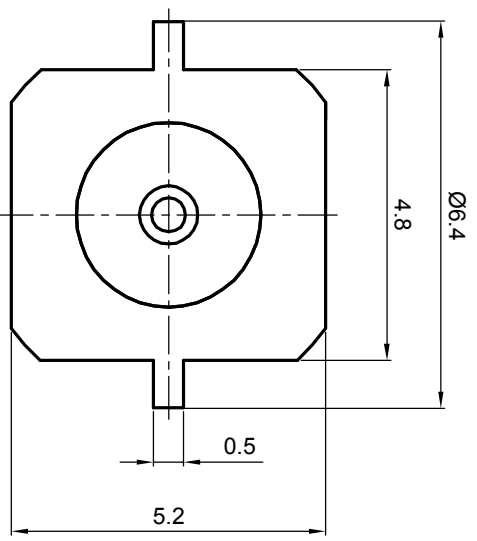
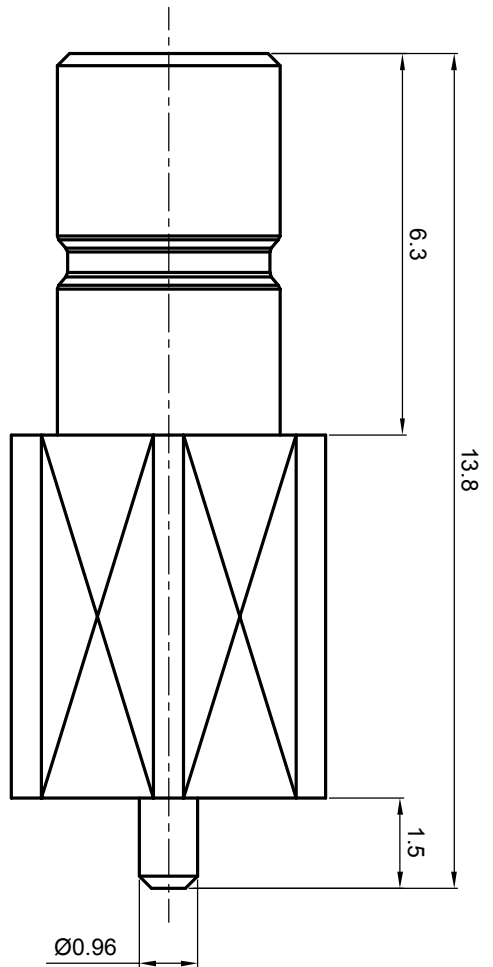


- NOTES: (UNLESS OTHERWISE SPECIFIED)**
- Interface comply with IEC 169-10
 - Part must be packaged to avoid any damages during transportation.



1.6

REV.	DESCRIPTION	APPROVED	DATE	ECN

MATERIAL SEE BOM		THIRD ANGLE PROJECTION		TITLE SMB PLUG EDGE MOUNT					
FINISH SEE BOM		GENERAL ECCENTRICITY <input checked="" type="checkbox"/> 0.06		DWG NO. 5985.SMB.PSE.00.110					
Remove burrs and sharp edges		<table border="1"> <tr> <th>NAME</th> <th>DATE</th> </tr> <tr> <td>Danny.D</td> <td>10Dec07</td> </tr> </table>		NAME	DATE	Danny.D	10Dec07	REV. S1	
NAME	DATE								
Danny.D	10Dec07								
TOLERANCES		DRAWN BY		SCALE					
0place X ±1 1place X ±0.1 2place .XX ±0.05 Angle ±5°		CHECKED BY		8:1					
Plating part to be touched by gloves		APPROVED BY		DO NOT SCALE DRAWING					
Dimension apply before plating				SIZE A4					
XXX - measuring point for plating				SHEET 1 of 1					
SURFACE									
VOLUME									
<p>NOTICE: Those drawings and specifications are the property of ZEETEQ CORPORATION and used only for the specify purpose authorised by ZEETEQ</p>									

Zeeteq