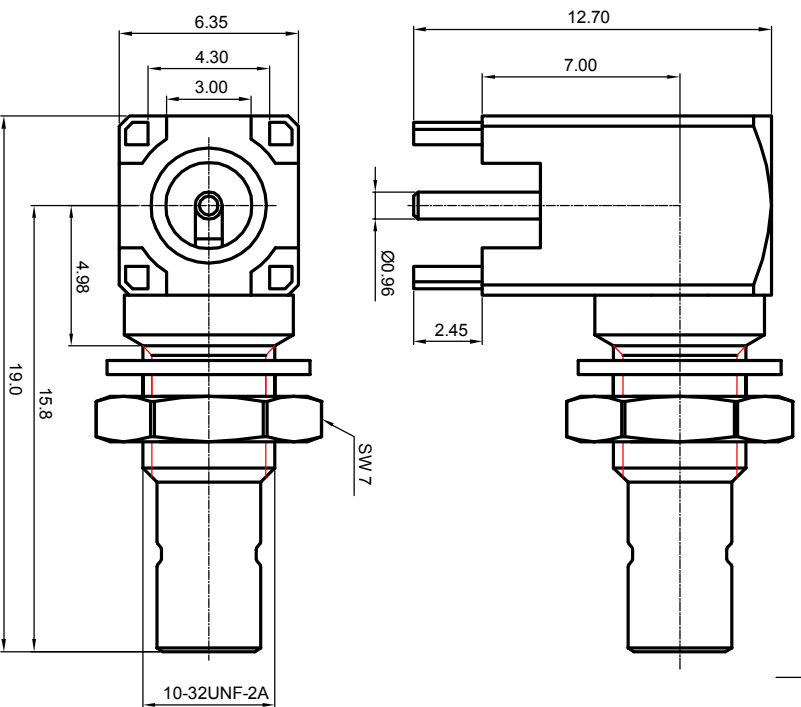


- NOTES: (UNLESS OTHERWISE SPECIFIED)**
- Interface comply with IEC 169-10
 - With a protective cap.
 - Part must be packaged to avoid any damages during transportation.



REV.	DESCRIPTION	APPROVED	DATE	ECN

MATERIAL		TOLERANCES		THIRD ANGLE PROJECTION		TITLE											
SEE BOM		<table border="1"> <tr> <td>Optical</td> <td>X ±1</td> </tr> <tr> <td>1place</td> <td>X ±0.1</td> </tr> <tr> <td>2place</td> <td>.XX ±0.05</td> </tr> <tr> <td>Angle</td> <td>±5°</td> </tr> </table>		Optical	X ±1	1place	X ±0.1	2place	.XX ±0.05	Angle	±5°					SMB, PLUG, PCB	
Optical	X ±1																
1place	X ±0.1																
2place	.XX ±0.05																
Angle	±5°																
FINISH		Remove burrs and sharp edges		GENERAL ECCENTRICITY		DWG NO.											
SEE BOM				<input checked="" type="checkbox"/> 0.06		5997.SMB.PRT.00.111											
Plating part to be touched by gloves		<table border="1"> <tr> <td>DRAWN BY</td> <td>NAME</td> <td>DATE</td> </tr> <tr> <td>Joy Zhou</td> <td>Joy Zhou</td> <td>03Dec07</td> </tr> </table>		DRAWN BY	NAME	DATE	Joy Zhou	Joy Zhou	03Dec07	APPROVED BY		SCALE					
DRAWN BY	NAME	DATE															
Joy Zhou	Joy Zhou	03Dec07															
Dimension apply before plating		CHECKED BY		APPROVED BY		8:1											
XXX - measuring point for plating		APPROVED BY		APPROVED BY		DO NOT SCALE DRAWING											
SURFACE		VOLUME		NOTICE: Those drawings and specifications are the property of ZEETEQ CORPORATION and used only for the specify purpose authorised by ZEETEQ		SIZE											
						A4											
						SHEET											
						1 of 1											
						REV.											
						S1											

1 2 3 4 5 6