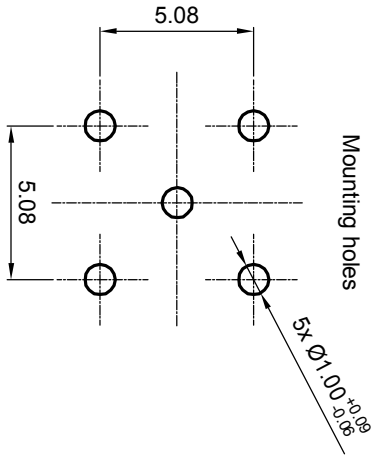
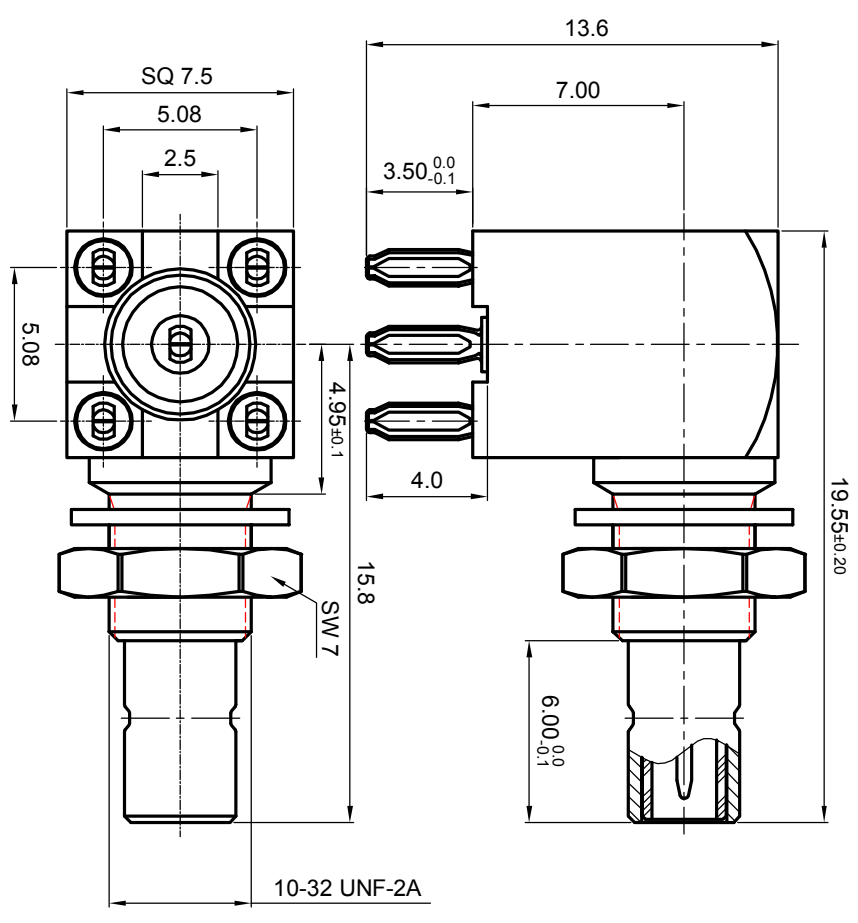


**NOTES: (UNLESS OTHERWISE SPECIFIED)**

- Interface comply with IEC 169-10
- Part must be packaged to avoid any damages during transportation.



MATERIAL		SEE BOM		TOLERANCES		THIRD ANGLE PROJECTION		TITLE	
FINISH		SEE BOM		Opface X ±1 1place .X ±0.1 2place XX ±0.05 Angle ±5°					
Plating part to be touched by gloves		Remove burrs and sharp edges		-0.1 +0.1		GENERAL ECCENTRICITY <input checked="" type="checkbox"/> 0.06		DWG NO. 5998.SMB.PRT.00.111	
Dimension apply before plating		DRAWN BY		NAME		DATE		SCALE	
XXX - measuring point for plating		Colin		03Dec07		8:1		DO NOT SCALE DRAWING	
SURFACE		VOLUME		CHECKED BY		APPROVED BY		SIZE	
								A4	
								SHEET	
								1 of 1	
								REV.	
								S1	

REV.	DESCRIPTION	APPROVED	DATE	EON

