

1

2

3

4

NOTES: (UNLESS OTHERWISE SPECIFIED)

- 1. The interface dimensions apply with IEC169-15
- 2. part must be packaged to avoid any damages during transportation

REV.	DESCRIPTION	APPROVED	DATE	ECN
A	Rel to production	Johnny	1Aug07	

A

A

B

B

C

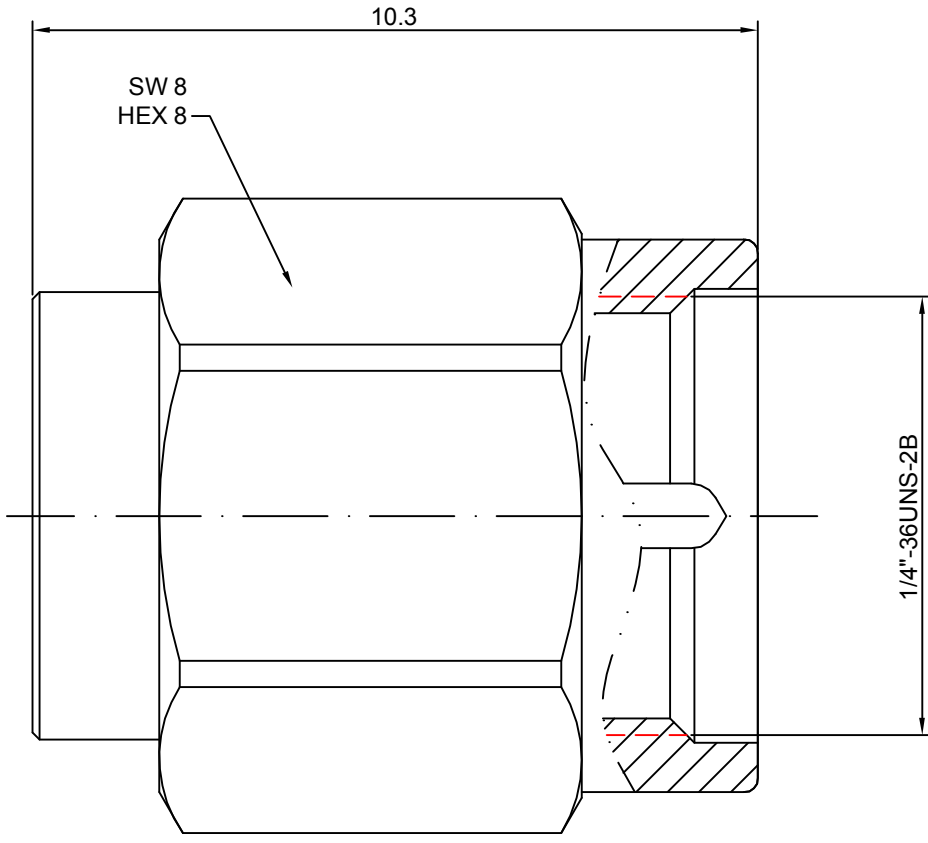
C

D

D

E

E



MATERIAL		TOLERANCES		THIRD ANGLE PROJECTION			
FINISH		Remove burrs and sharp edges					
Plating part to be touched by gloves				DRAWN BY		SMA, PLUG, LOAD	
Dimension apply before plating		NOTICE: Those drawings and specifications are the property of ZEETEQ CORPORATION and used only for the specify purpose authorised by ZEETEQ		NAME		DATE	
XXX - measuring point for plating				Joy Zhou		20Jul07	
SURFACE		VOLUME		CHECKED BY		DWG NO.	
				Colin Dai		5087.SMA.PSL.00.155	
				APPROVED BY		REV.	
				Johnny		A	
				SCALE		SIZE	
				10:1		A4	
				DO NOT SCALE DRAWING		SHEET	
						1 OF 1	

1

2

3

4

F

F