

1

2

3

4

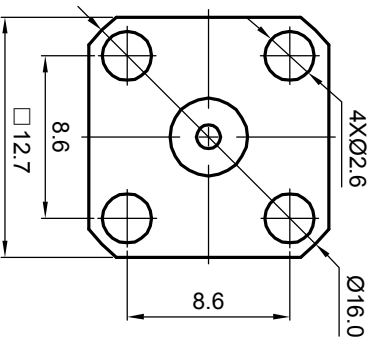
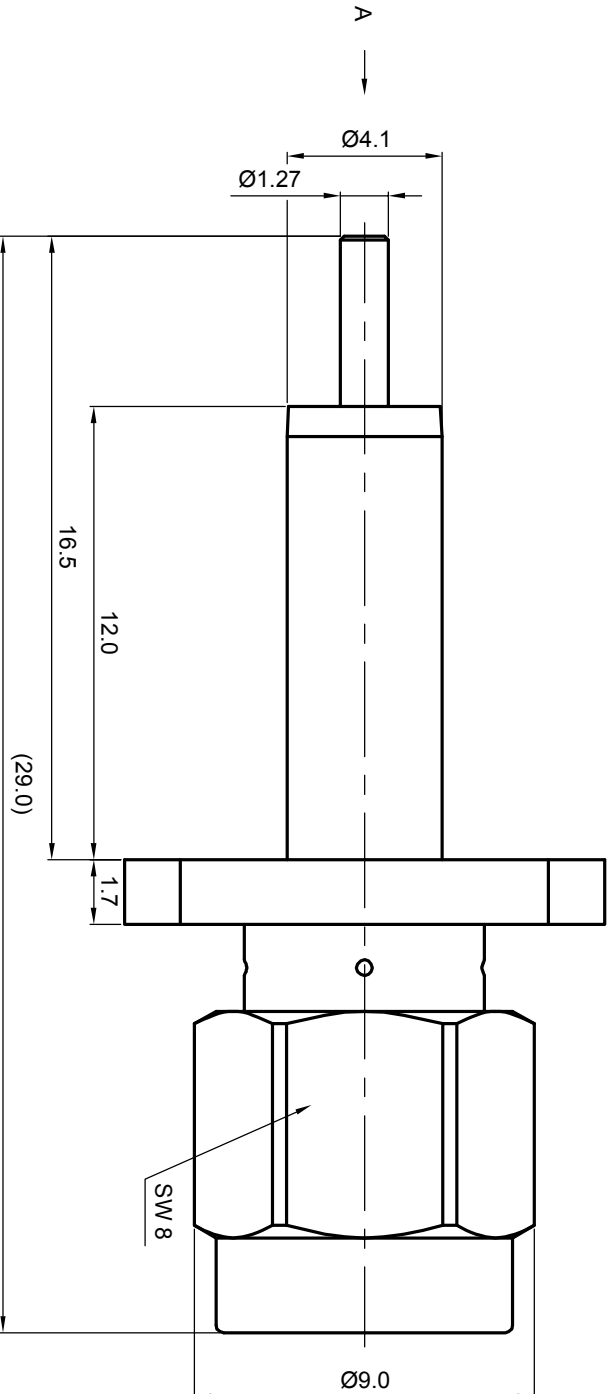
5

6

**NOTES: (UNLESS OTHERWISE SPECIFIED)**

- 1. Interface comply with IEC 169-15.
- 2. Part must be packaged to avoid any damaged during transportation.

REV.	DESCRIPTION	APPROVED	DATE	ECN



Orientation A  
2.5:1



MATERIAL		SEE BOM OF DETAILS		TOLERANCES		THIRD ANGLE PROJECTION	
SEE BOM OF DETAILS		SEE BOM OF DETAILS		Opface X ±1 1place X ±0.1 2place .XX ±0.05 Angle ±5°			
FINISH		SEE BOM OF DETAILS		Remove burrs and sharp edges		GENERAL ECCENTRICITY <input checked="" type="checkbox"/> 0.06	
Plating part to be touched by gloves		SEE BOM OF DETAILS		-0.2 +0.2		DRAWN BY <b>Billy.Lei</b> 27 Dec 07	
Dimension apply before plating		SEE BOM OF DETAILS		-0.2 +0.2		CHECKED BY	
XXX - measuring point for plating		SEE BOM OF DETAILS		-0.2 +0.2		APPROVED BY	
SURFACE		VOLUME		<b>NOTICE:</b> Those drawings and specifications are the property of ZEETEQ CORPORATION and used only for the specify purpose authorised by ZEETEQ.		NAME	
SURFACE		VOLUME		<b>NOTICE:</b> Those drawings and specifications are the property of ZEETEQ CORPORATION and used only for the specify purpose authorised by ZEETEQ.		DATE	

**Zee teq**

**SMA, plug, flange**

5977.SMA.PSF.00.111

SCALE	DO NOT SCALE DRAWING	SIZE	SHEET
5:1	DO NOT SCALE DRAWING	A4	1 OF 1

1

2

3

4

5

6

A

B

C

D

A

B

C

D