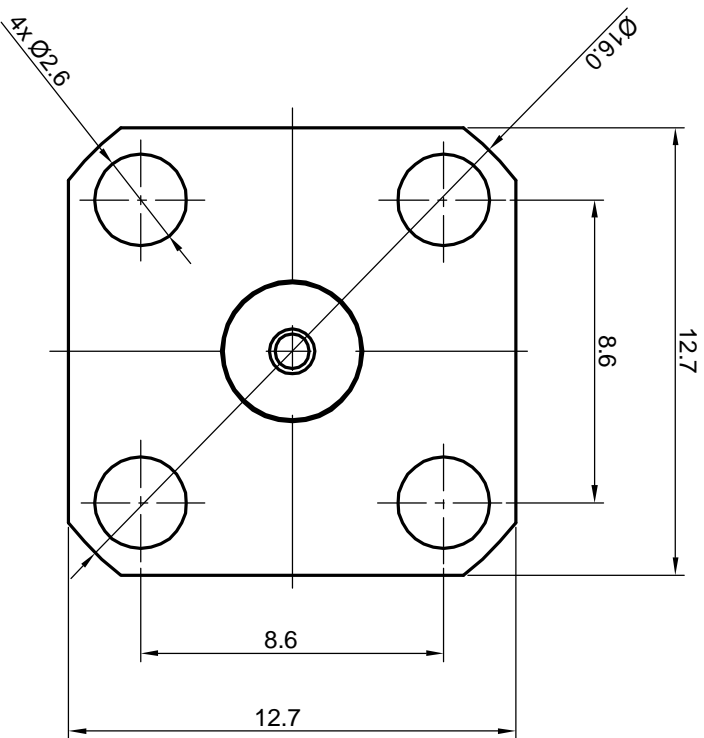
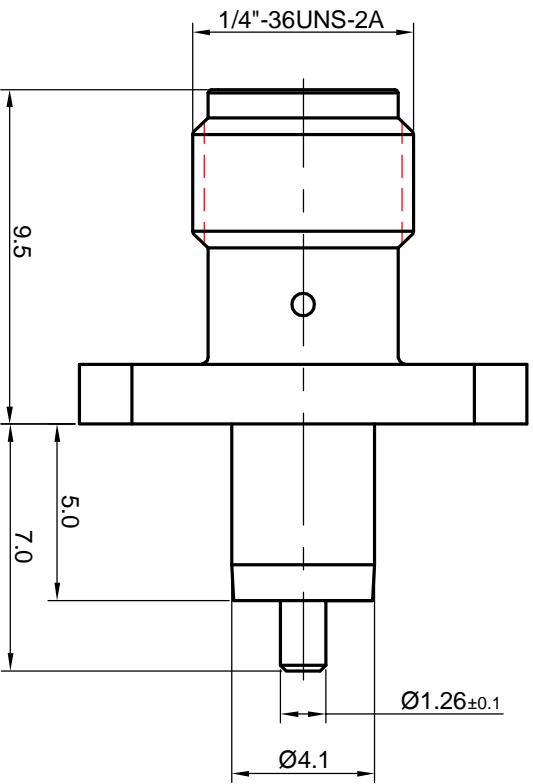


- NOTES: (UNLESS OTHERWISE SPECIFIED)**
1. INTERFACE COMPLY WITH IEC 169-15.
 2. PART MUST BE PACKAGED TO AVOID ANY DAMAGES DURING TRANSPORTATION.



REV.	DESCRIPTION	APPROVED	DATE	EN

MATERIAL	
SEE BOM FOR DETAILS	
FINISH	
SEE BOM FOR DETAILS	
Plating part to be touched by gloves	
Dimension apply before plating	
XXX - measuring point for plating	
SURFACE	VOLUME

TOLERANCES	
0place	X ±1
1place	X ±0.1
2place	.XX ±0.05
Angle	±5°
Remove burrs and sharp edges	
	-0.1
	+0.1

NOTICE: Those drawings and specifications are the property of ZEETEQ CORPORATION and used only for the specify purpose authorised by ZEETEQ

THIRD ANGLE PROJECTION	
GENERAL ECCENTRICITY	$\sqrt{0.06}$
DRAWN BY	Colin
CHECKED BY	
APPROVED BY	
NAME	DATE
	22Aug07

TITLE	
Zeeteq	
SMA, JACK, FLANGE	
DWG NO.	REV.
6047.SMA.JSF.00.110	S1
SCALE	SIZE
5:1	A4
DO NOT SCALE DRAWING	SHEET
	1 of 1

1 2 3 4 5 6

A B C D