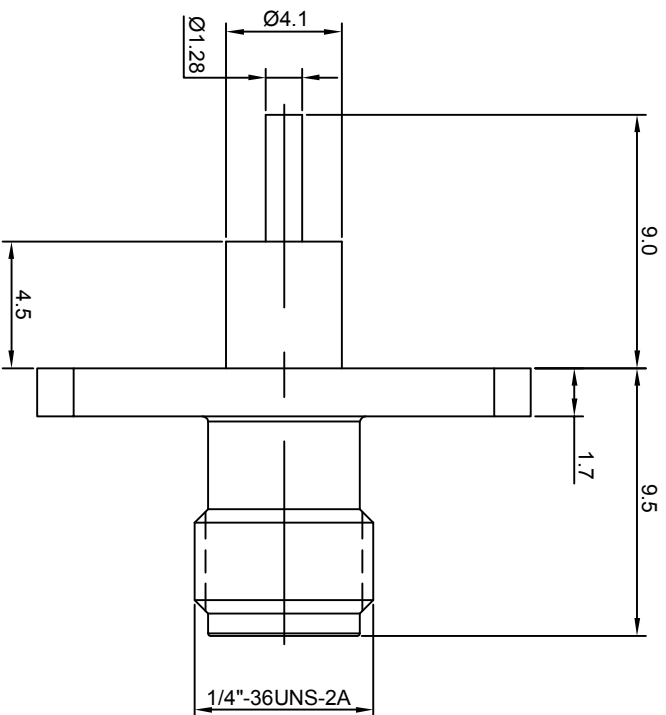
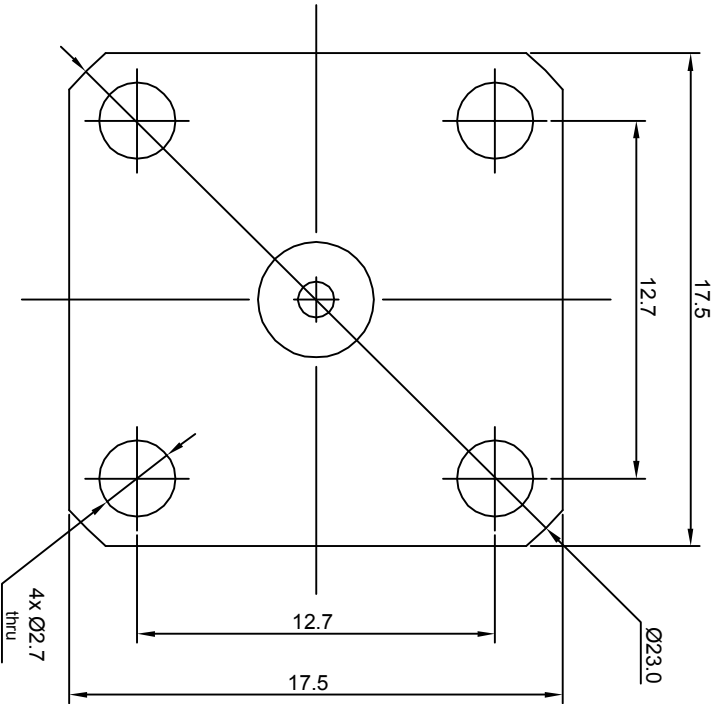


NOTES: (UNLESS OTHERWISE SPECIFIED)

- Interface comply with IEC 169-15.
- Part must be packaged to avoid any damages during transportation.



REV.	DESCRIPTION	APPROVED	DATE	ECN

MATERIAL SEE BOM FOR DETAILS		TOLERANCES		THIRD ANGLE PROJECTION		TITLE	
FINISH SEE BOM FOR DETAILS		Optance X ±1	1place X ±0.1	GENERAL ECCENTRICITY $\sqrt{0.06}$		Zeeteq	
Plating part to be touched by gloves		2place .XX ±0.05	Angle ±5°	DRAWN BY Joy Zhou 14Aug07		SMA, JACK, FLANGE	
Dimension apply before plating		Remove burrs and sharp edges		CHECKED BY		DWG NO. 5975.SMA.JSF.00.110	
XXX - measuring point for plating				APPROVED BY		SCALE 4:1	
SURFACE		NOTICE: Those drawings and specifications are the property of ZEETEQ CORPORATION and used only for the specify purpose authorised by ZEETEQ		DATE		DO NOT SCALE DRAWING	
VOLUME						SIZE A4	
						SHEET 1 of 1	

