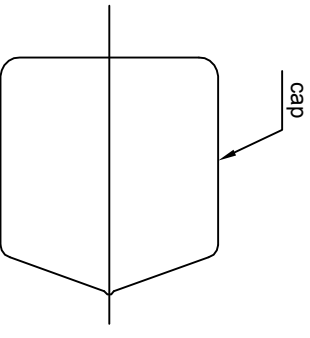
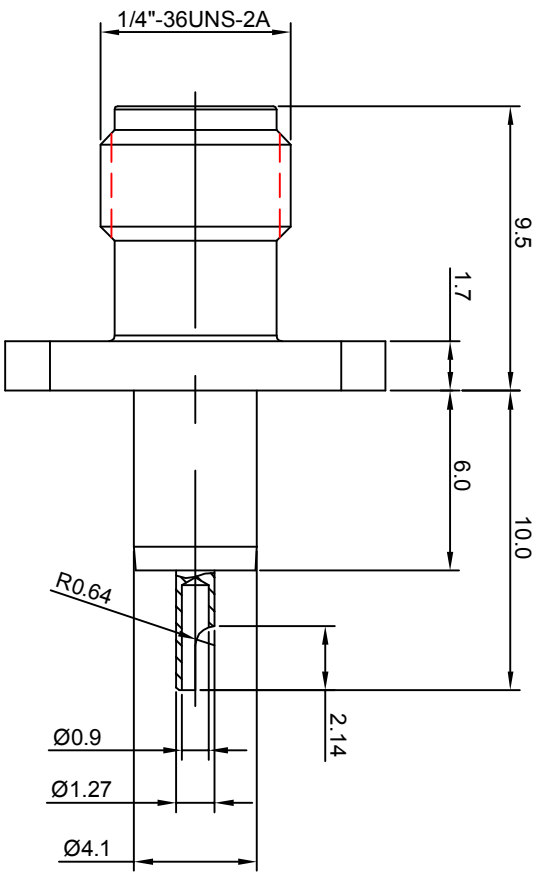
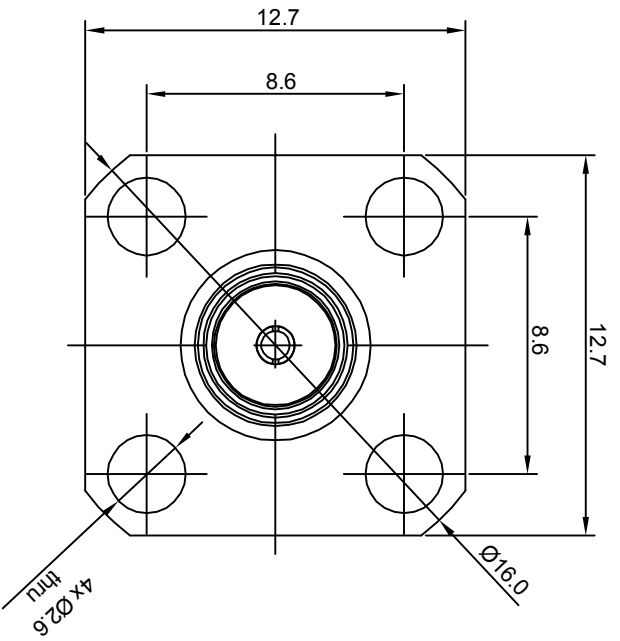


NOTES: (UNLESS OTHERWISE SPECIFIED)

- Interface comply with IEC 169-15.
- Part must be packaged to avoid any damages during transportation.



MATERIAL SEE BOM FOR DETAILS	
FINISH SEE BOM FOR DETAILS	
Plating part to be touched by gloves	
Dimension apply before plating	
XXX - measuring point for plating	
SURFACE	VOLUME

TOLERANCES	
0place	X ±1
1place	X ±0.1
2place	XX ±0.05
Angle	±5°
Remove burrs and sharp edges	
	-0.2
	+0.2

THIRD ANGLE PROJECTION	
GENERAL ECCENTRICITY	<input checked="" type="checkbox"/> 0.06
DRAWN BY	NAME
Joy Zhou	Joy Zhou
CHECKED BY	DATE
	15Aug07
APPROVED BY	

NOTICE: Those drawings and specifications are the property of ZEETEQ CORPORATION and used only for the specify purpose authorised by ZEETEQ

REV.	DESCRIPTION	APPROVED	DATE	EON
A	Rel to production	Johnny	12Oct07	

TITLE

Zeeteq

SMA, JACK, FLANGE

DWG. NO. **6033.SMA.JSF.00.110**

SCALE 4:1 DO NOT SCALE DRAWING SIZE A4 SHEET 1 OF 1

