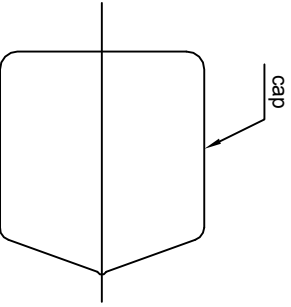
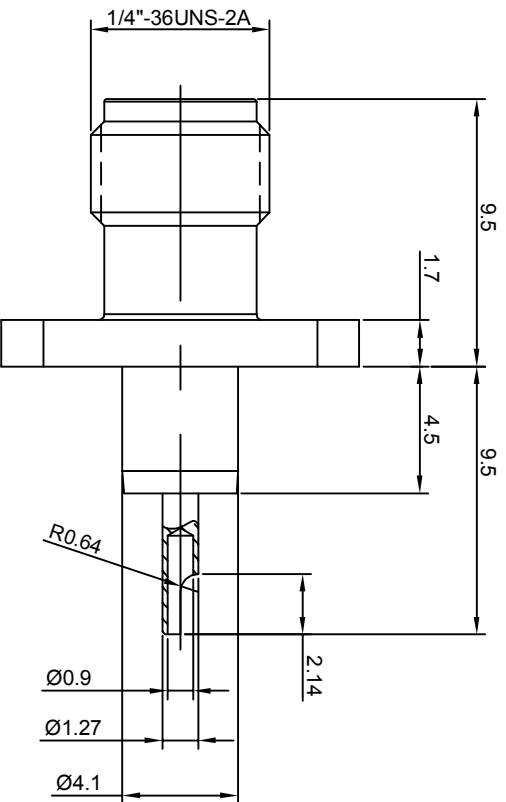
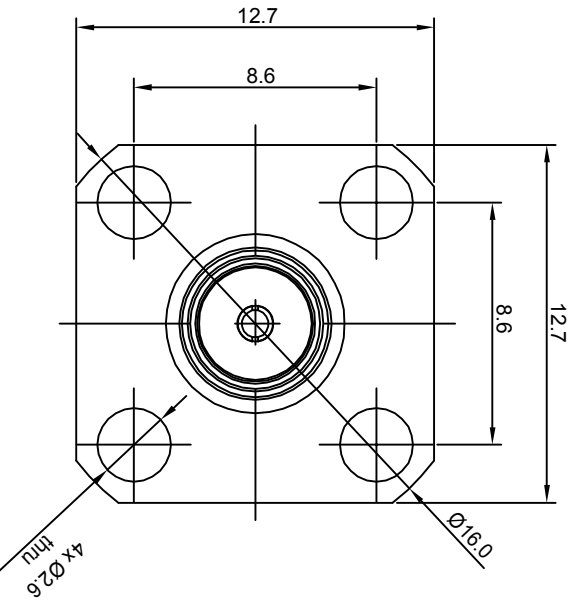


**NOTES: (UNLESS OTHERWISE SPECIFIED)**

1. Interface comply with IEC 169-15.
2. Part must be packaged to avoid any damages during transportation.



REV.	DESCRIPTION	APPROVED	DATE	ECN

MATERIAL SEE BOM FOR DETAILS		TOLERANCES		THIRD ANGLE PROJECTION		TITLE	
FINISH SEE BOM FOR DETAILS		Oplate X ±1 1place X ±0.1 2place .XX ±0.05 Angle ±5°				<b>Zeeteq</b> SMA, JACK, FLANGE	
Plating part to be touched by gloves		Remove burrs and sharp edges		GENERAL ECCENTRICITY $\sqrt{0.06}$		DWG. NO.	
Dimension apply before plating				DRAWN BY Joy Zhou 15Aug07		5973.SMA.JSF.00.110	
XXX - measuring point for plating		APPROVED BY		CHECKED BY		SCALE	
SURFACE		VOLUME		NOTICE: Those drawings and specifications are the property of ZEETEQ CORPORATION and used only for the specify purpose authorised by ZEETEQ		4:1	
DO NOT SCALE DRAWING		SIZE		SHEET		1 of 1	
A4		S1		REV.		1.6	