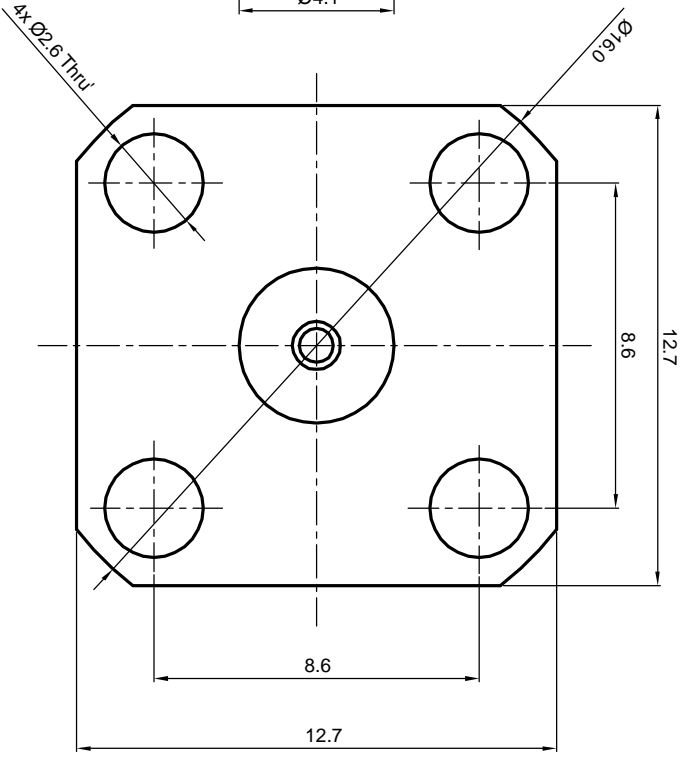
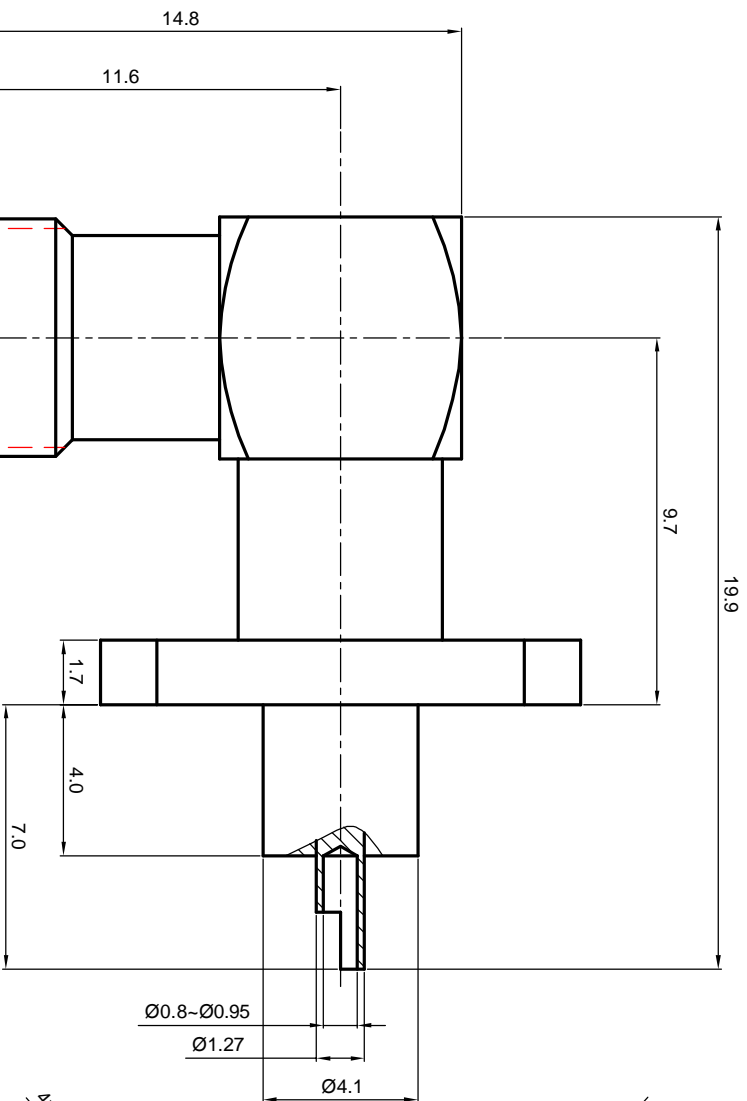


**NOTES: (UNLESS OTHERWISE SPECIFIED)**

1. Interface according to IEC169-15.
2. With a protective cap.
3. Part must be packaged to avoid any damages during transportation.



1.6

REV.	DESCRIPTION	APPROVED	DATE	ECN

<b>MATERIAL</b> SEE BOM		<b>TOLERANCES</b> 0place X ±1 1place X ±0.1 2place XX ±0.05 Angle ±5°		<b>THIRD ANGLE PROJECTION</b> GENERAL ECCENTRICITY <input checked="" type="checkbox"/> <b>Flange</b>		<b>TITLE</b> SMA, JACK, Flange	
<b>FINISH</b> SEE BOM		Remove burrs and sharp edges -0.1 +0.1		DRAWN BY Colin 10Aug07		DWG. NO. 6027.SMA.JRF.00.110	
Plating part to be touched by gloves Dimension apply before plating XXX - measuring point for plating		APPROVED BY		NAME DATE		SCALE 5:1	
<b>SURFACE</b>		<b>VOLUME</b>		DO NOT SCALE DRAWING		SIZE A4	
NOTICE: Those drawings and specifications are the property of ZEETEQ CORPORATION and used only for the specify purpose authorised by ZEETEQ		APPROVED BY		DATE		SHEET 1 of 1	



A B C D

A B C D

1 2 3 4 5 6