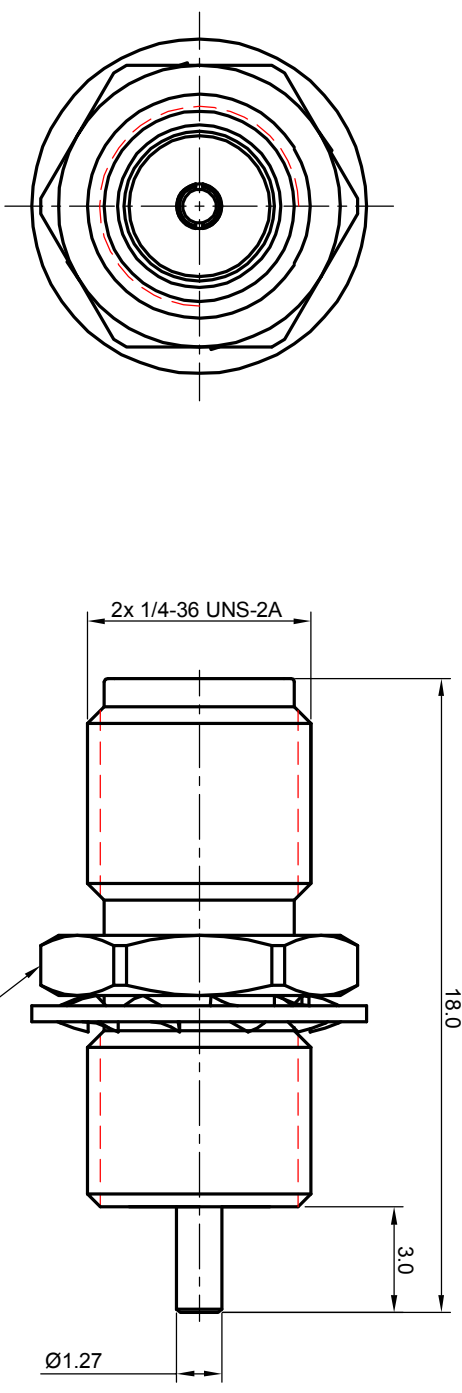


NOTES: (UNLESS OTHERWISE SPECIFIED)

- Interface comply with IEC 169-15.
- Part must be packaged to avoid any damages during transportation.
- With a protective cap.



REV.	DESCRIPTION	APPROVED	DATE	ECN
S2	new design for customer.	Joy Zhou	21Dec07	

MATERIAL SEE BOM FOR DETAILS		TOLERANCES		THIRD ANGLE PROJECTION		TITLE	
FINISH SEE BOM FOR DETAILS		Optical X ±1 1place X ±0.1 2place .XX ±0.05 Angle ±5°		 GENERAL ECCENTRICITY <input checked="" type="checkbox"/> 0.06		 SMA, JACK, BULKHEAD	
Plating part to be touched by gloves		Remove burrs and sharp edges		DRAWN BY		DWG NO.	
Dimension apply before plating				NAME		6085.SMA.JSB.00.111	
XXX - measuring point for plating		APPROVED BY		DATE		REV.	
SURFACE		VOLUME		Colin		14Aug07	
NOTICE: Those drawings and specifications are the property of ZEETEQ CORPORATION and used only for the specify purpose authorised by ZEETEQ		SCALE		DO NOT SCALE DRAWING		SIZE	
		5:1		A4		SHEET	
						1 of 1	

1.6x