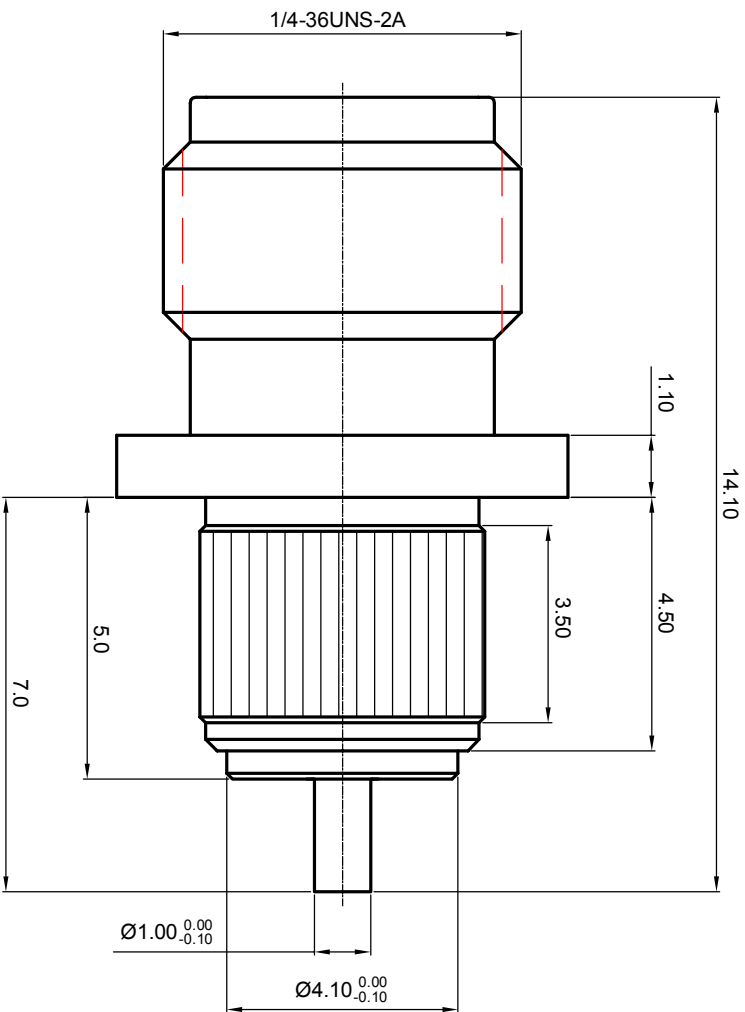


NOTES: (UNLESS OTHERWISE SPECIFIED)

1. Interface comply with IEC 169-15.
2. Part must be packaged to avoid any damages during transportation.



REV.	DESCRIPTION	APPROVED	DATE	ECN

MATERIAL		SEE BOM		TOLERANCES		THIRD ANGLE PROJECTION		TITLE	
FINISH		SEE BOM		Optance X ±1 1place X ±0.1 2place .XX ±0.05 Angle ±5°					
SURFACE		VOLUME		Remove burrs and sharp edges 		GENERAL ECCENTRICITY <input checked="" type="checkbox"/> 0.06		SMA, JACK, PRESS IN	
DRAWN BY		CHECKED BY		APPROVED BY		NAME		DATE	
Plating part to be touched by gloves		Dimension apply before plating		XXX - measuring point for plating		Joy Zhou		03Jan08	
NOTICE: Those drawings and specifications are the property of ZEETEQ CORPORATION and used only for the specify purpose authorised by ZEETEQ		SCALE		DO NOT SCALE DRAWING		SIZE		SHEET	
6129.SMA.JSP.00.110		8:1		A4		S1		1 of 1	
DWG NO.		REV.							

