

DATA SHEET

Receptacle connector



Part Number

6038.716.PSF.00.233

Description

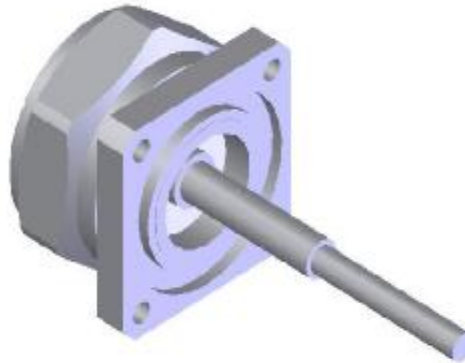
7/16, Plug, Straight, Flange Mount

Interface Standard

IEC 169-4

Suitable Cable

N/A



Electrical Data

Impedance	50	Ω
Max. operating frequency	7.5	GHz
Insulation resistance	≥ 10000	$M\Omega$
Center contact resistance	≤ 0.4	$m\Omega$
Outer contact resistance	≤ 1.5	$m\Omega$
Dielectric withstanding voltage	≥ 4000	Vrms @ 50Hz
Working voltage	≥ 3000	Vrms @ 50Hz
PIM	≤ -165	dBc (2x40W carriers)

Mechanical Data

Mating cycles	≥ 500	
coupling recommended torque	$\geq 25\sim 30$	Nm
coupling proof torque	≥ 35	Nm
coupling nut tensile strength	≥ 1000	N
Center contact axial force	≥ 200	N
Center contact axial torque	≥ 0.45	Nm
contact gauge ret. Force	$\geq 6\sim 18$	N

Environmental Data

Operating temperature	-40~120°C	silicone rubber limited
2002/95/EC (ROHS)	compliant	
Sealing	IP68 (IEC60529)	
Thermal shock	MIL-STD-202 Method107, condition B	
Moisture resistance	MIL-STD-202 Method106	
Corrosion resistance	MIL-STD-202 Method101, condition B	
Vibration	MIL-STD-202 Method204, condition D	
Shock	MIL-STD-202 Method213, condition I	

Material Data

Piece Parts	Material	Surface Plating
center contact	Brass	Ag
body	Brass	CuSnZn
insulator	PTFE	
o-ring	silicone rubber	
coupling nut	Brass	CuSnZn
spring ring	phosphor bronze	
gasket	silicone rubber	

Zeeteq the technoledge connecting people

No. 51 Sci.-Tech Industry Park, Huoju
Road, SND, Suzhou, China
Zip: 215009

Tel: +86 512 6807 8808
Fax: +86 512 6807 8818
www.zeeteq.com

Rev.: a
issued: 2008-5-23
page: 1 of 1