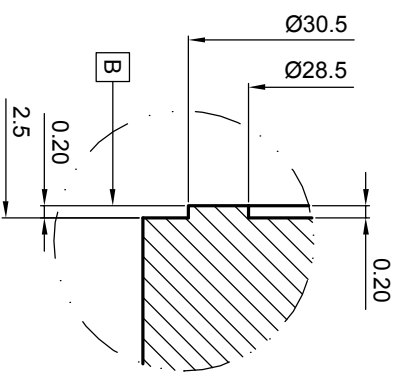
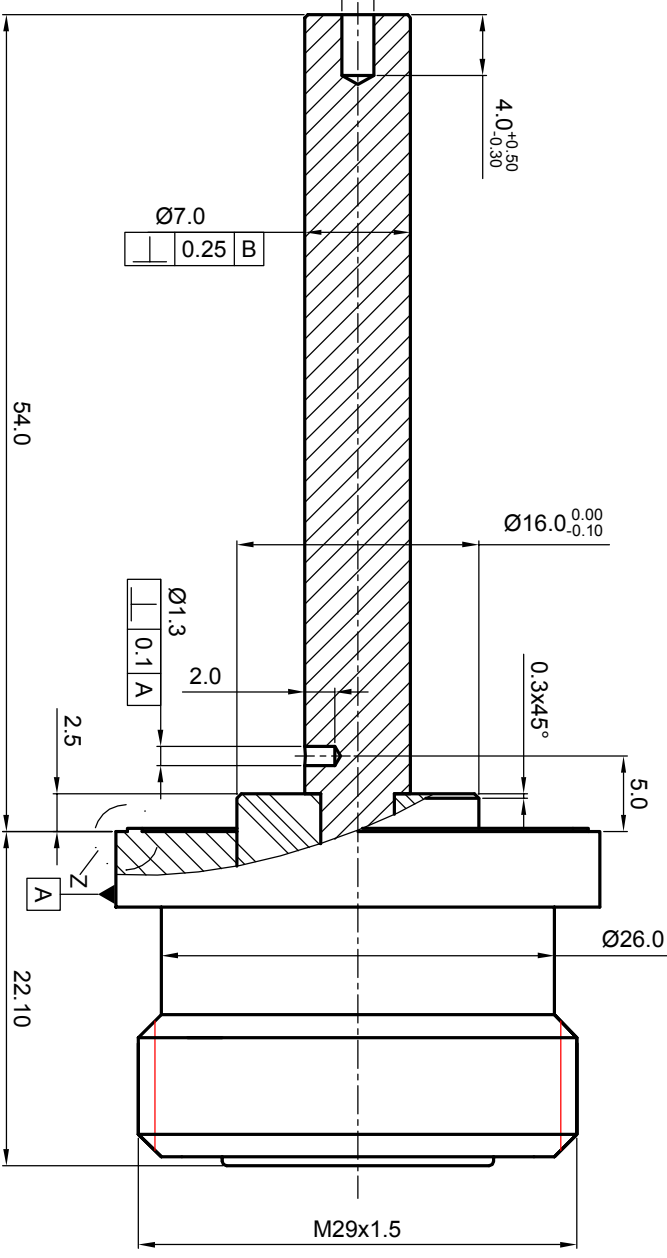
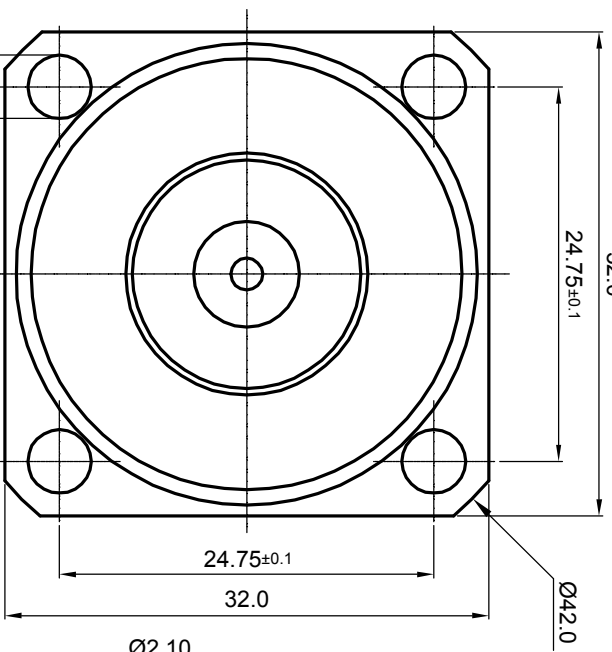


NOTES: (UNLESS OTHERWISE SPECIFIED)

1. Interface according to IEC 169-4
2. With a protective cap.
3. Part must be packaged to avoid any damages during transportation.



DETAIL Z
SCALE 8:1

MATERIAL		SEE BOM		THIRD ANGLE PROJECTION		TITLE	
FINISH		SEE BOM		GENERAL ECCENTRICITY		7/16, JACK, FLANGE	
TOLERANCES		Remove burrs and sharp edges		NAME		DWG NO.	
Opface X ±1		-0.1		Colin		6137.716.JSF.00.220	
1place X ±0.1		+0.1		DATE		REV.	
2place .XX ±0.05		±5°		08Jan08		S1	
SURFACE		VOLUME		APPROVED BY		SCALE	
Plating part to be touched by gloves						2:1	
Dimension apply before plating						DO NOT SCALE DRAWING	
XXX - measuring point for plating						SIZE	
						A4	
						SHEET	
						1 of 1	



7/16, JACK, FLANGE

6137.716.JSF.00.220

S1

1 2 3 4 5 6